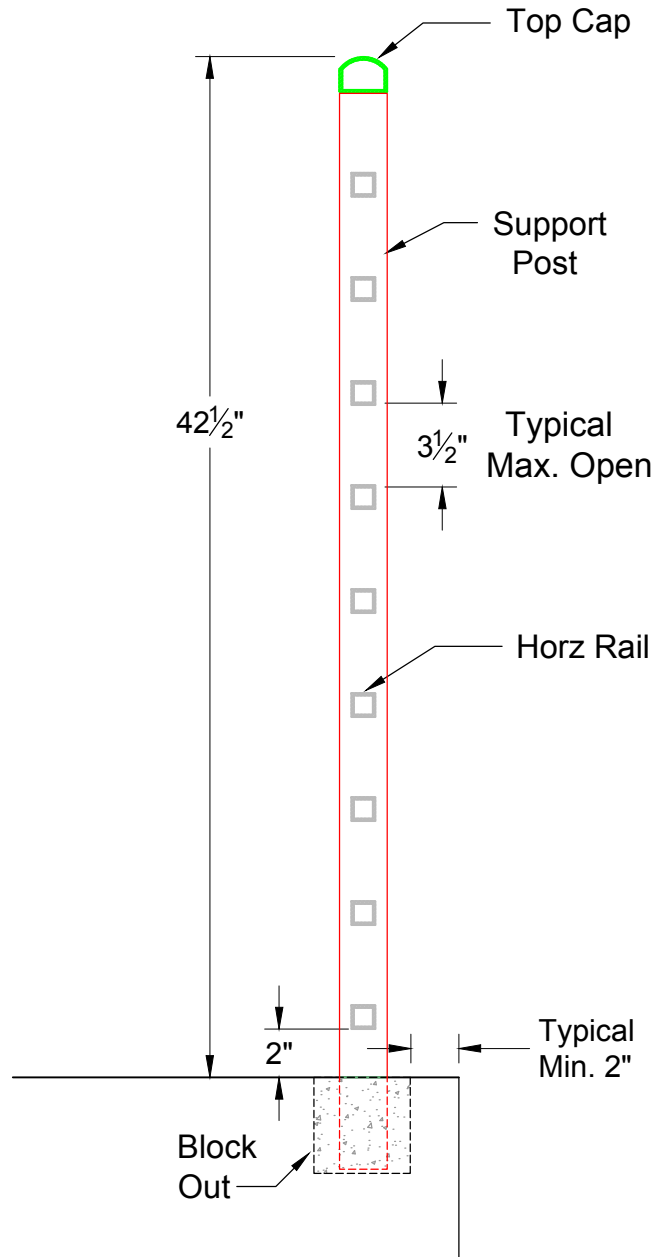


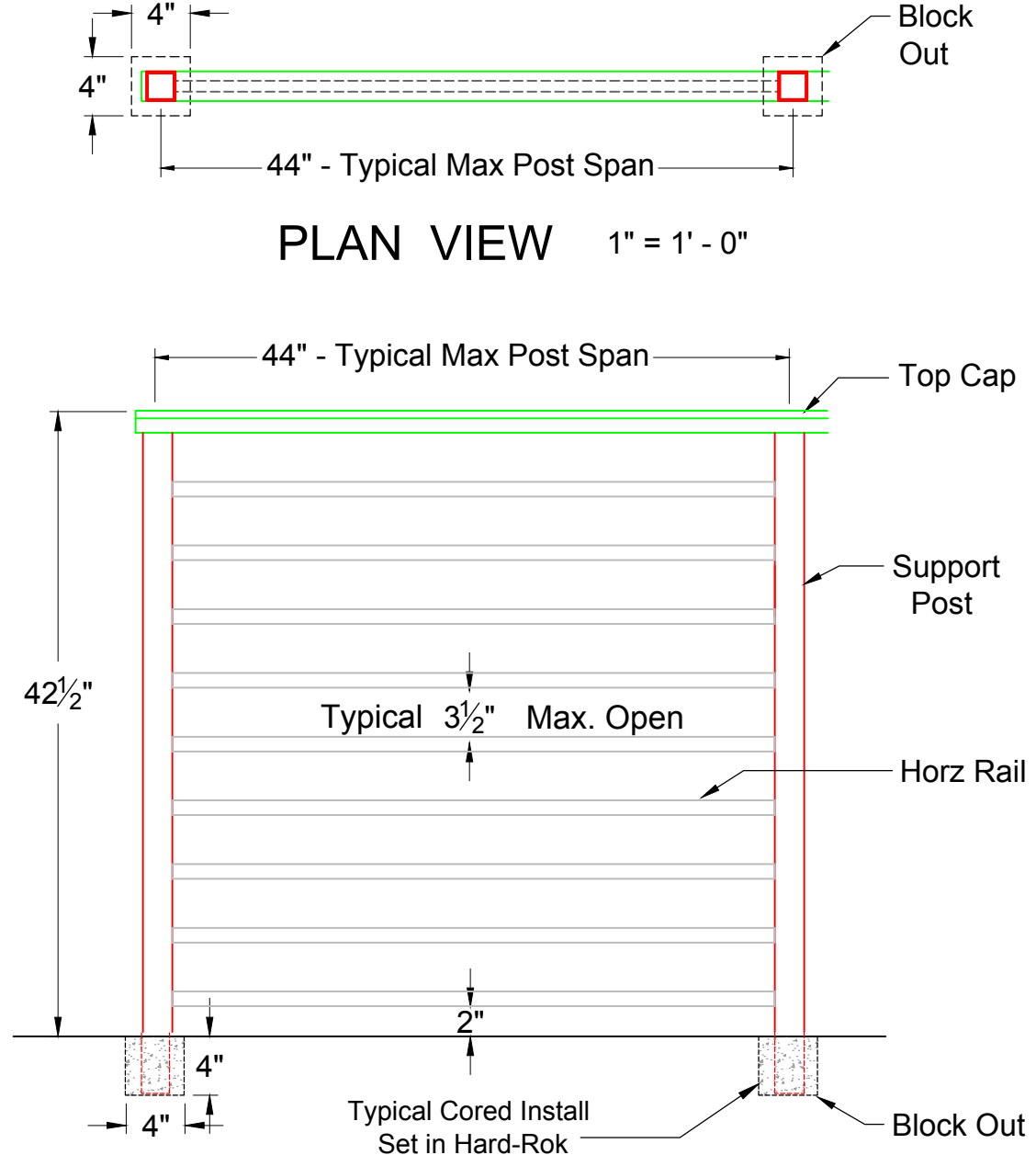
**Material List:**

2"x 1-1/2"x 1/8"	6061-T6 HR-14 Type	Top Cap ( Shown )
2" x 2" x 1/8"	6061-T6 Sq. Tube	Support Post
1" x 1" x 1/8"	6061-T6 Sq. Tube	Horizontal Rails
5" x 5" x 3/8"	6061-T6 CNC Cut	Base Plate ( Option )

All rights reserved and are the property of Mullet's Aluminum Products, Inc. No part of the materials may be copied, photocopied, reproduced, translated or reduced to any electronic medium or machine-readable form, in whole or in part, without prior written consent of Mullet's Products, Inc. All materials are protected by United States Copyright Law.



**ENLARGED SECTION** 1 1/2" = 1' - 0"



**ELEVATION** 1" = 1' - 0"

Dimensions and Components may vary based on Site Specific Engineering

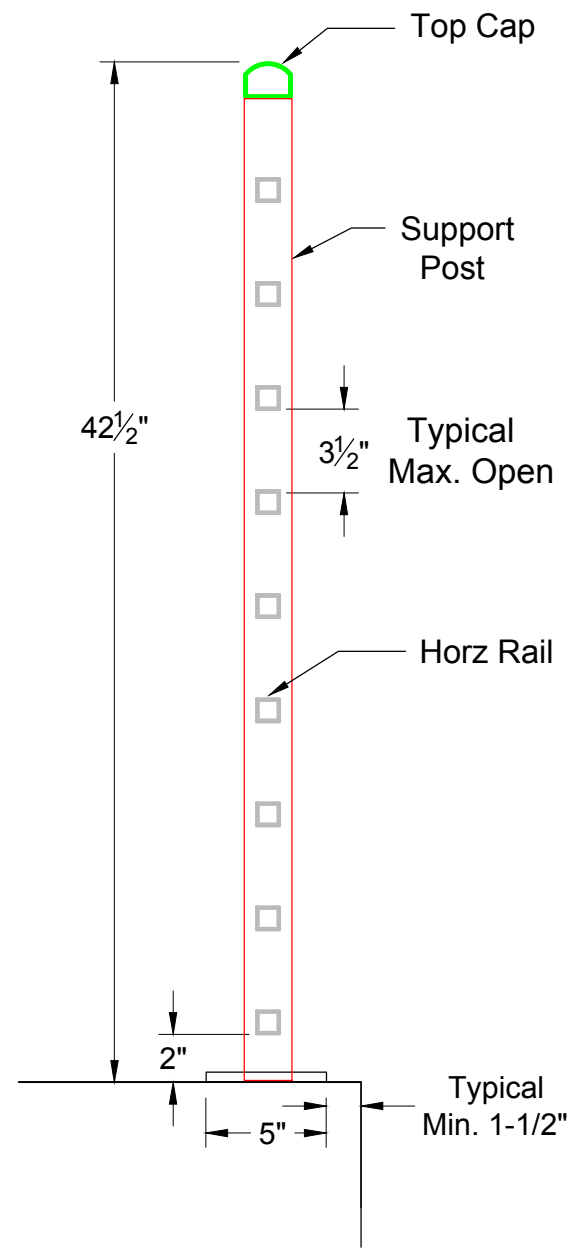
Date:	May. 23, 19	Customer:	MULLET'S ALUMINUM
Drawn By:	Nick, L.	Project Name:	
Scale:	AS NOTED	Drawing Description:	HRS - 200 Typ. Core Mount
			Page : ( 1 )

**MULLET'S ALUMINUM PRODUCTS INC.**  
 WELDING FABRICATION DEPT.  
 6345 McIntosh Road Office # ( 941 ) 371 - 3502  
 Sarasota, FL 34238 Fax # ( 941 ) 378 - 5676

**Material List:**

2"x 1-1/2"x 1/8"	6061-T6 HR-14 Type	Top Cap ( Shown )
2" x 2" x 1/8"	6061-T6 Sq. Tube	Support Post
1" x 1" x 1/8"	6061-T6 Sq. Tube	Horizontal Rails
5" x 5" x 3/8"	6061-T6 CNC Cut	Base Plate ( Option )

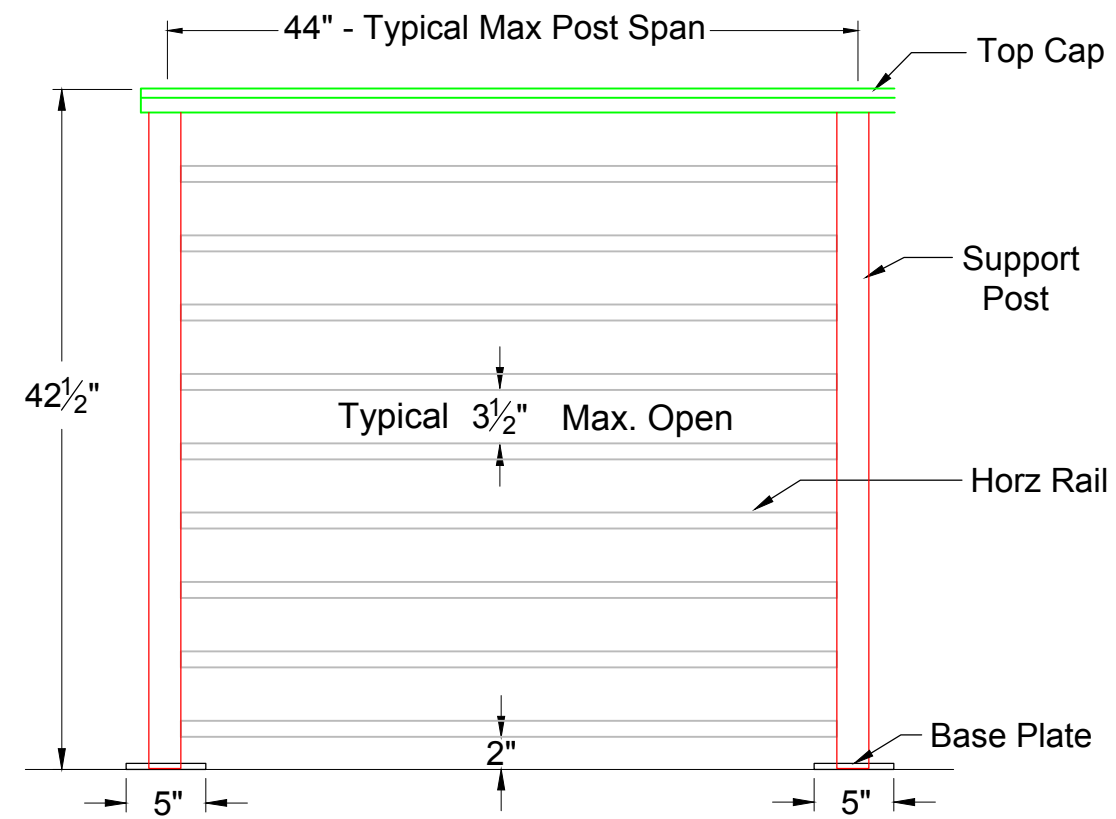
All rights reserved and are the property of Mullet's Aluminum Products, Inc. No part of the materials may be copied, photocopied, reproduced, translated or reduced to any electronic medium or machine-readable form, in whole or in part, without prior written consent of Mullet's Products, Inc. All materials are protected by United States Copyright Law.



**ENLARGED SECTION** 1/2" = 1' - 0"



**PLAN VIEW** 1" = 1' - 0"

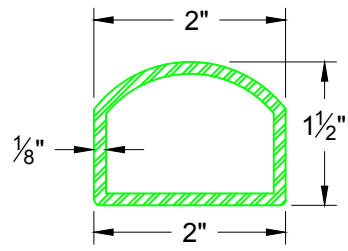


**ELEVATION** 1" = 1' - 0"

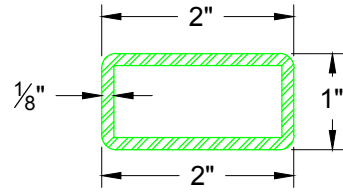
Dimensions and Components may vary based on Site Specific Engineering

Date:	Customer:	MULLET'S ALUMINUM PRODUCTS INC.
May. 23, 19	MULLET'S ALUMINUM	
Drawn By:	Project Name:	HRS - 200 Opt. Plate Mount
Nick, L.		
Scale:	Drawing Description:	Page : ( 2 )
AS NOTED		

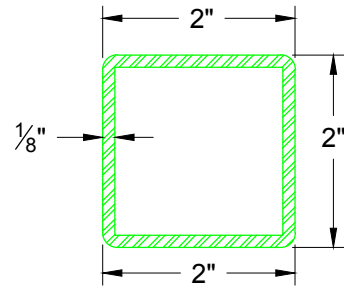
**MULLET'S ALUMINUM PRODUCTS INC.**  
 WELDING FABRICATION DEPT.  
 6345 McIntosh Road Office # ( 941 ) 371 - 3502  
 Sarasota, FL 34238 Fax # ( 941 ) 378 - 5676



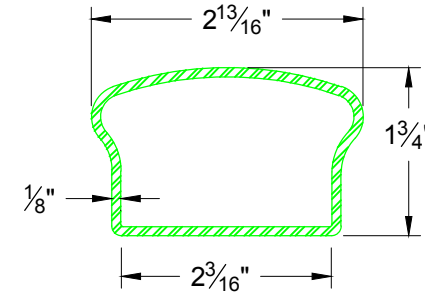
TOP CAP ( SHOWN )  
# MA 14



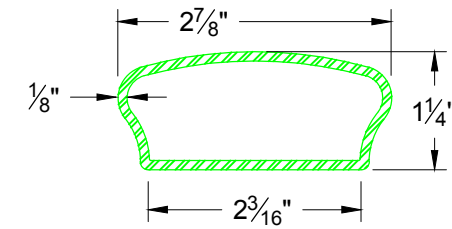
TOP CAP OPTION  
2" x 1" Rad. Edge



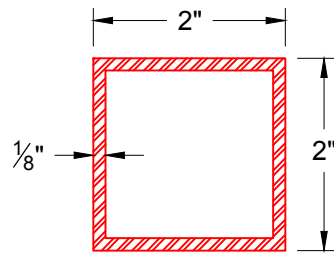
TOP CAP OPTION  
# SQ 2" Rad. Edge



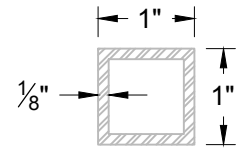
TOP CAP OPTION  
# 137



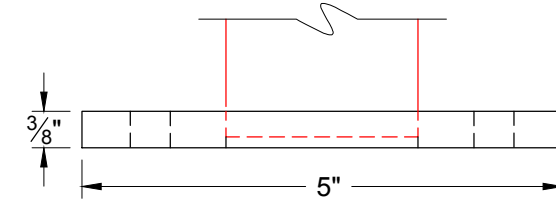
TOP CAP OPTION  
# 133



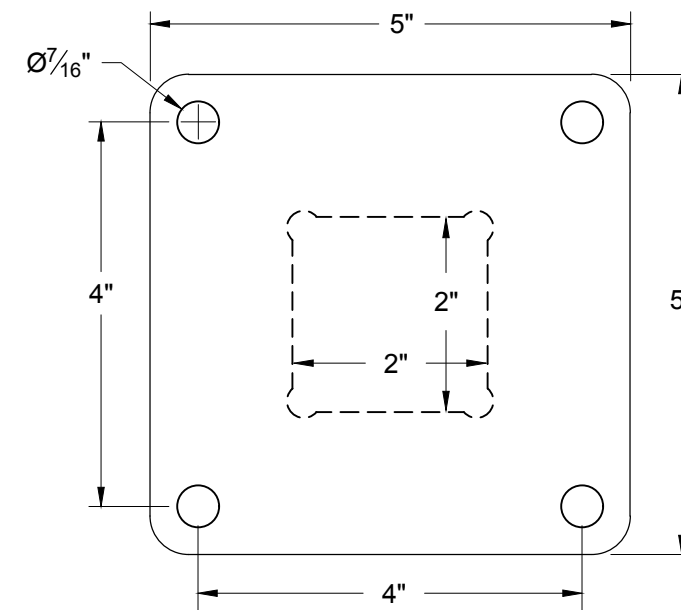
SUPPORT POST



HORZ RAIL



BASE PLATE ( Elev. )



BASE PLATE ( Plan )

( BASE PLATE OPTION SUBJECT TO ENGINEERING )

### Material List:

2"x 1-1/2"x 1/8"	6061-T6 HR-14 Type	Top Cap ( Shown )
2" x 2" x 1/8"	6061-T6 Sq. Tube	Support Post
1" x 1" x 1/8"	6061-T6 Sq. Tube	Horizontal Rails
5" x 5" x 3/8"	6061-T6 CNC Cut	Base Plate ( Option )

Dimensions and Components may vary based on Site Specific Engineering

All rights reserved and are the property of Mullet's Aluminum Products, Inc. No part of the materials may be copied, photocopied, reproduced, translated or reduced to any electronic medium or machine-readable form, in whole or in part, without prior written consent of Mullet's Products, Inc. All materials are protected by United States Copyright Law.

Date: May. 23, 19  
Customer: MULLET'S ALUMINUM

Drawn By: Nick, L.  
Project Name:

Scale: N.T.S.  
Drawing Description:

HRS - 200 Component List

Page: (3)



WELDING FABRICATION DEPT.

6345 McIntosh Road Office # (941) 371-3502  
Sarasota, FL 34238 Fax # (941) 378-5676