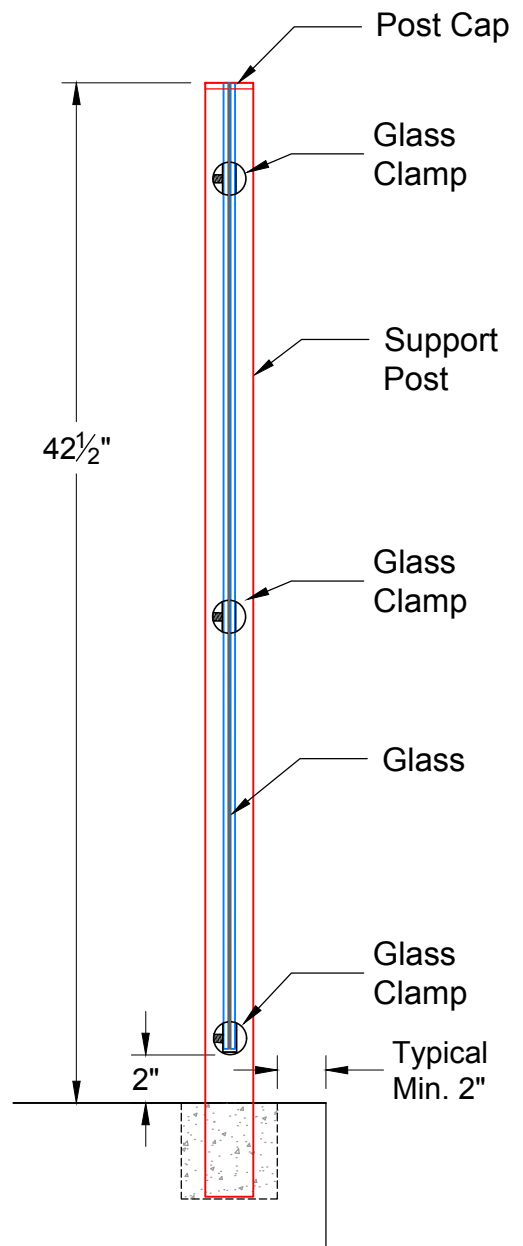


Material List:

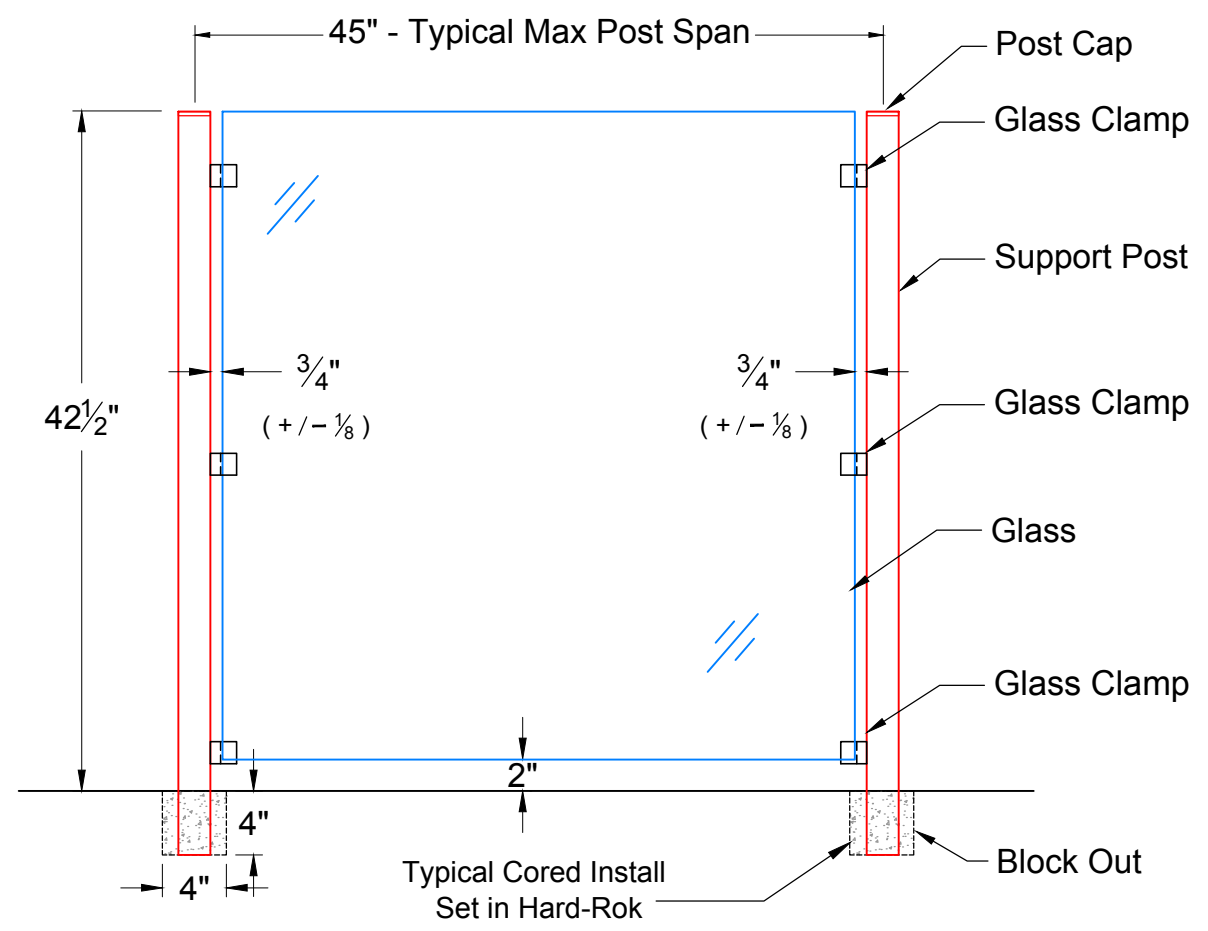
2" x 2" x 1/4"	6061-T6 Sq. Tube	Support Post
2" Sq. x 1/4"	6061-T6 Flat Bar	Post Cap
1-15/16" x 1-5/8"	6061-T6 Machined	Glass Clamp
3/16"-.035 -3/16"	Temp -SGP-Temp	Clear Lami Glass (Shown)
1/4" - .035 - 1/4"	Temp -SGP-Temp	Clear Lami Glass (Option)
1/2" Clear	Tempered	Monolithic Glass (Option)
5" x 6" x 3/8"	6061-T6 CNC Cut	Base Plate (Option)



ENLARGED SECTION 1 1/2" = 1' - 0"



PLAN VIEW 1" = 1' - 0"



ELEVATION 1" = 1' - 0"

Dimensions and Components may vary based on Site Specific Engineering

All rights reserved and are the property of Mullet's Aluminum Products, Inc. No part of the materials may be copied, photocopied, reproduced, translated or reduced to any electronic medium or machine-readable form, in whole or in part, without prior written consent of Mullet's Products, Inc. All materials are protected by United States Copyright Law.

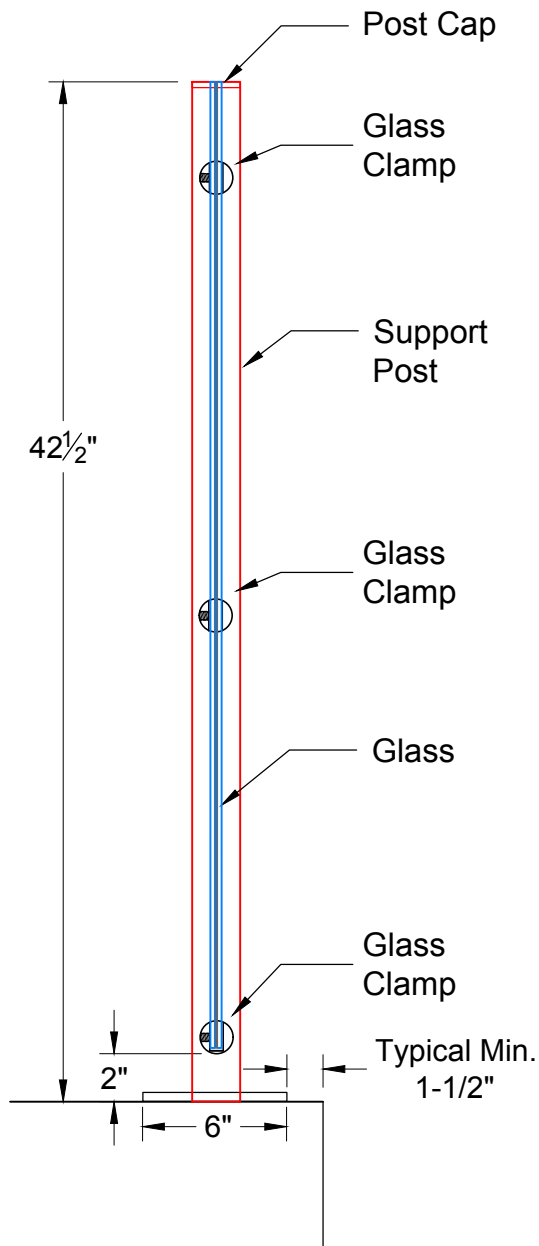
Date:	Customer:
May. 23, 19	MULLET'S ALUMINUM
Drawn By:	Project Name:
Nick, L.	GLASS RAILING
Scale:	Drawing Description:
AS NOTED	GRS - 200 Typ. Core Mount
	Page: (1)

MULLET'S ALUMINUM PRODUCTS INC.
 WELDING FABRICATION DEPT.
 6345 McIntosh Road Office # (941) 371 - 3502
 Sarasota, FL 34238 Fax # (941) 378 - 5676

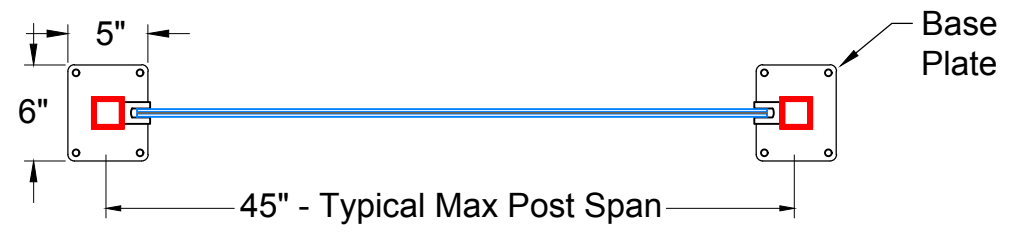
Material List:

2" x 2" x 1/4"	6061-T6 Sq. Tube	Support Post
2" Sq. x 1/4"	6061-T6 Flat Bar	Post Cap
1-15/16" x 1-5/8"	6061-T6 Machined	Glass Clamp
3/16"-.035 -3/16"	Temp -SGP-Temp	Clear Lami Glass (Shown)
1/4" - .035 - 1/4"	Temp -SGP-Temp	Clear Lami Glass (Option)
1/2" Clear	Tempered	Monolithic Glass (Option)
5" x 6" x 3/8"	6061-T6 CNC Cut	Base Plate (Option)

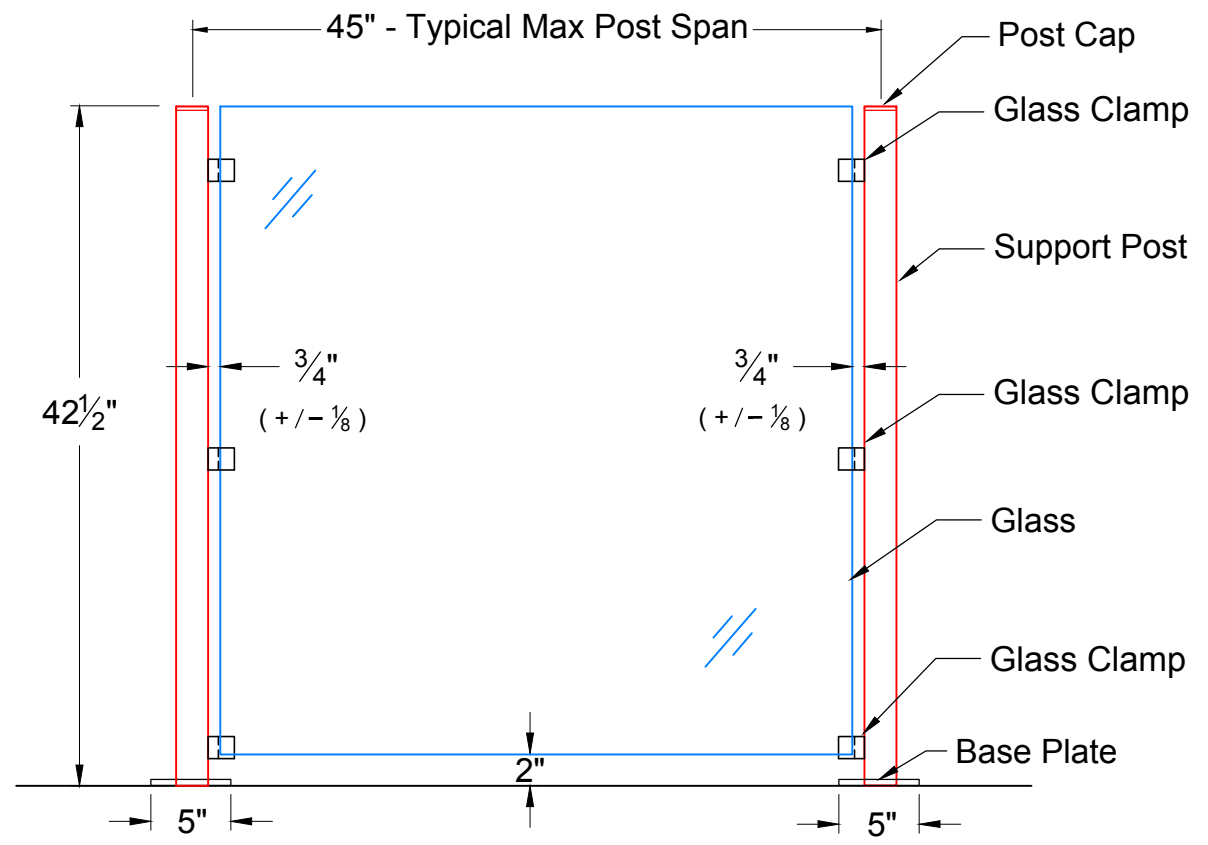
All rights reserved and are the property of Mullet's Aluminum Products, Inc. No part of the materials may be copied, photocopied, reproduced, translated or reduced to any electronic medium or machine-readable form, in whole or in part, without prior written consent of Mullet's Products, Inc. All materials are protected by United States Copyright Law.



ENLARGED SECTION 1/2" = 1' - 0"



PLAN VIEW 1" = 1' - 0"

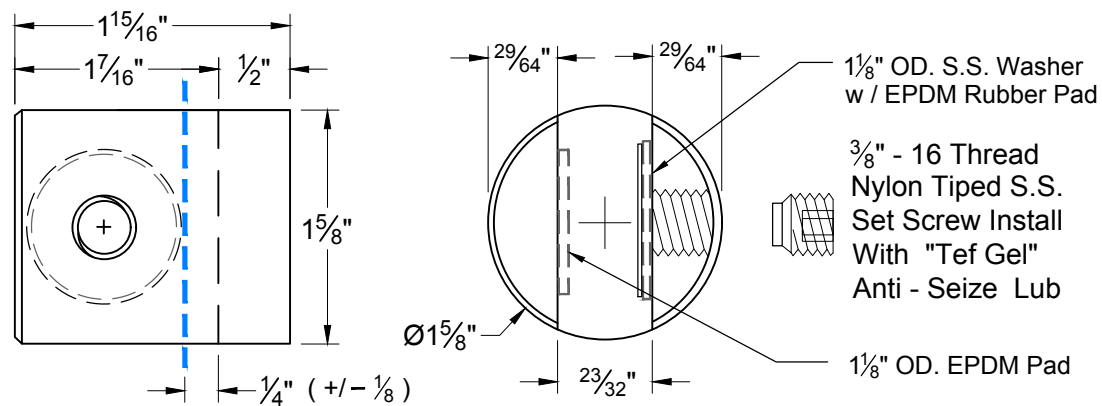
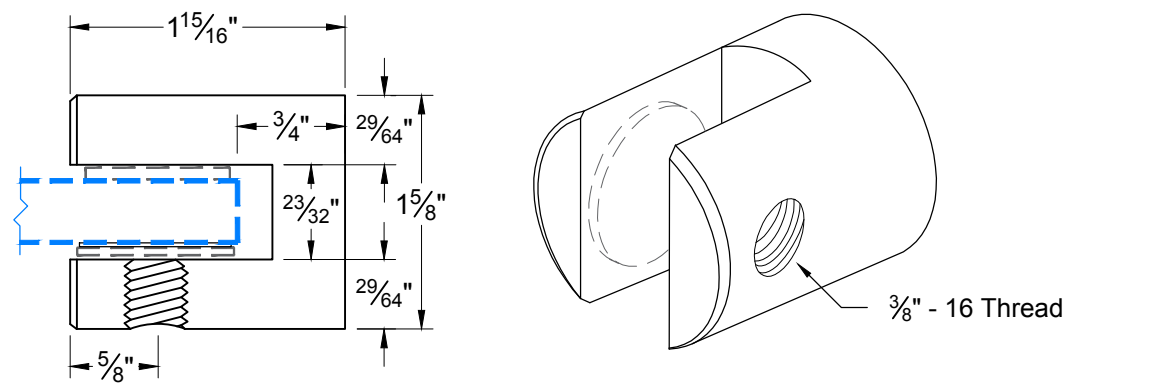


ELEVATION 1" = 1' - 0"

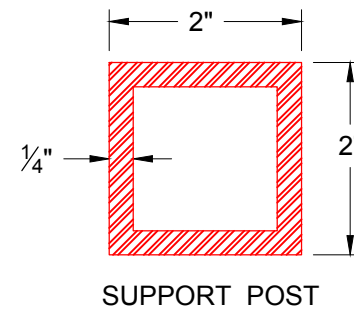
Dimensions and Components may vary based on Site Specific Engineering

Date:	Customer:
May. 23, 19	MULLET'S ALUMINUM
Drawn By:	Project Name:
Nick, L.	GLASS RAILING
Scale:	Drawing Description:
AS NOTED	GRS - 200 Opt. Plate Mount
	Page: (2)

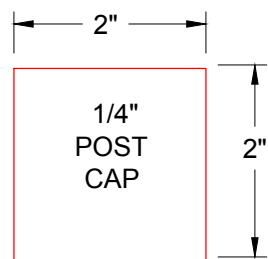
MULLET'S ALUMINUM PRODUCTS INC.
 WELDING FABRICATION DEPT.
 6345 McIntosh Road Office # (941) 371 - 3502
 Sarasota, FL 34238 Fax # (941) 378 - 5676



TYPICAL GLASS BRACKET



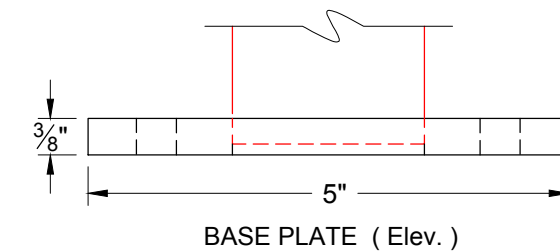
SUPPORT POST



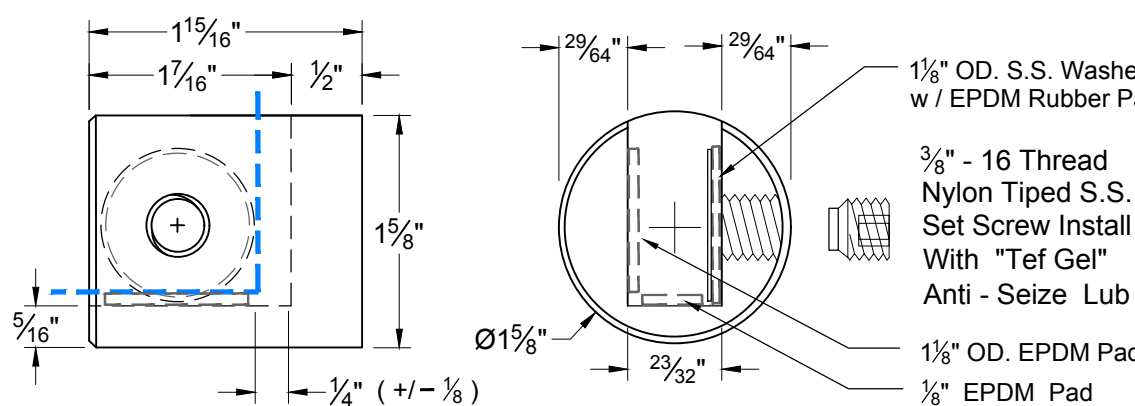
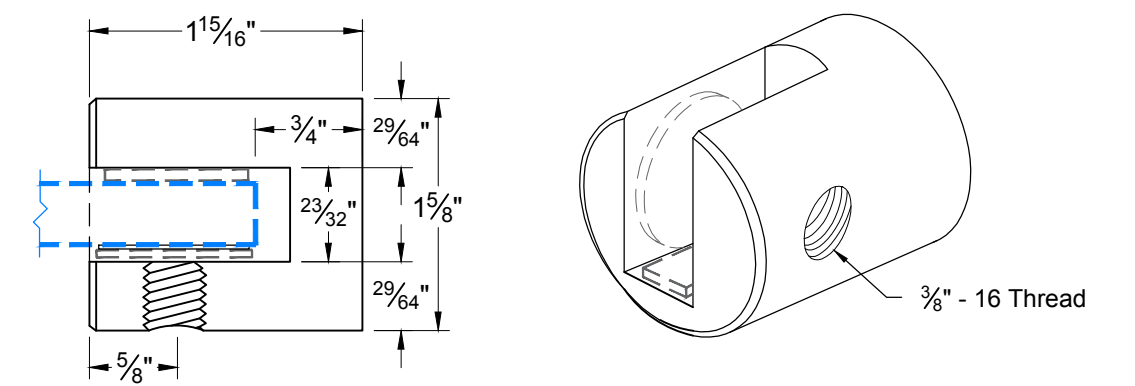
POST CAP

Material List:

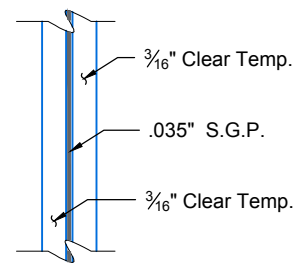
- | | | |
|--------------------|------------------|-----------------------------|
| 2" x 2" x 1/4" | 6061-T6 Sq. Tube | Support Post |
| 2" Sq. x 1/4" | 6061-T6 Flat Bar | Post Cap |
| 1-15/16" x 1-5/8" | 6061-T6 Machined | Glass Clamp |
| 3/16"-.035 -3/16" | Temp -SGP-Temp | Clear Lami Glass (Shown) |
| 1/4" - .035 - 1/4" | Temp -SGP-Temp | Clear Lami Glass (Option) |
| 1/2" Clear | Tempered | Monolithic Glass (Option) |
| 5" x 6" x 3/8" | 6061-T6 CNC Cut | Base Plate (Option) |



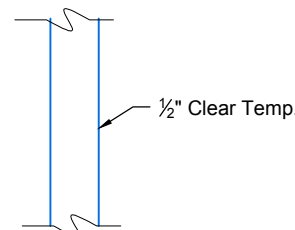
BASE PLATE (Elev.)



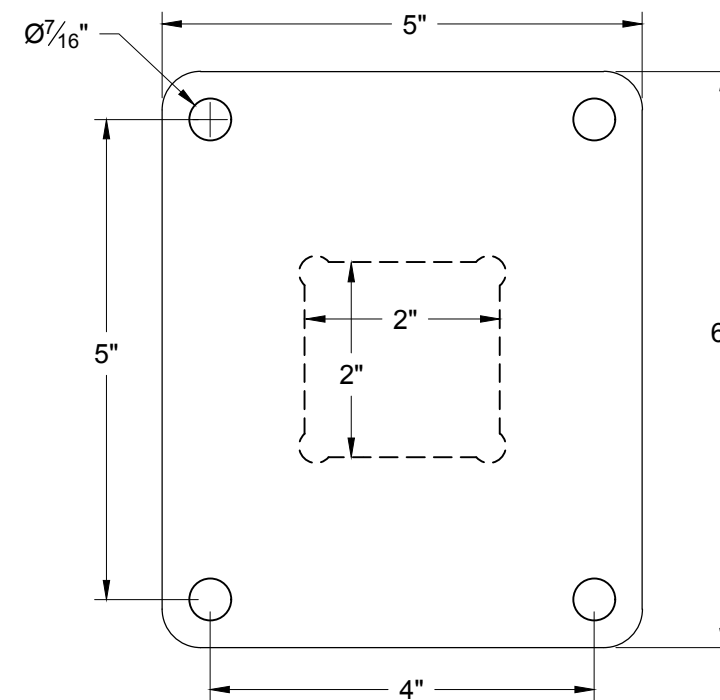
BOTTOM GLASS BRACKET



LAMINATED GLASS DETAIL



MONOLITHIC GLASS DETAIL
(FOR INTERIOR RESIDENTIAL ONLY)



BASE PLATE (Plan)

(BASE PLATE OPTION SUBJECT TO ENGINEERING)

All rights reserved and are the property of Mullet's Aluminum Products, Inc. No part of the materials may be copied, photocopied, reproduced, translated or reduced to any electronic medium or machine-readable form, in whole or in part, without prior written consent of Mullet's Products, Inc. All materials are protected by United States Copyright Law.

Customer: **MULLET'S ALUMINUM**

Project Name: **GLASS RAILING**

Drawing Description: **GRS - 200 Component List**

Date: May. 23, 19

Drawn By: Nick, L.

Scale: N.T.S.

Page: (3)



MULLET'S ALUMINUM PRODUCTS INC.
WELDING FABRICATION DEPT.
6345 McIntosh Road Office # (941) 371 - 3502
Sarasota, FL 34238 Fax # (941) 378 - 5676

Dimensions and Components may vary based on Site Specific Engineering