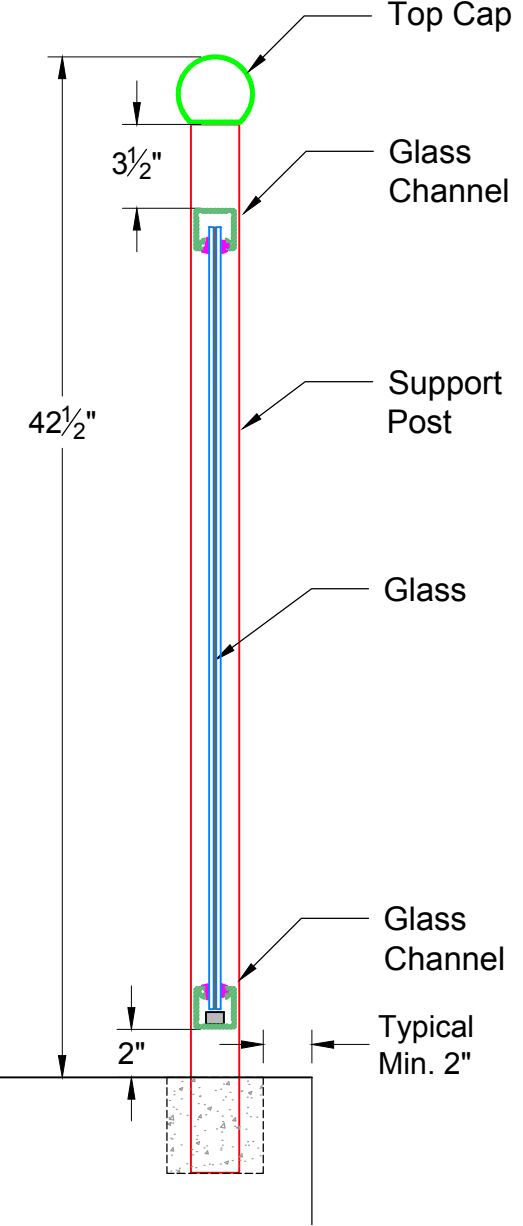
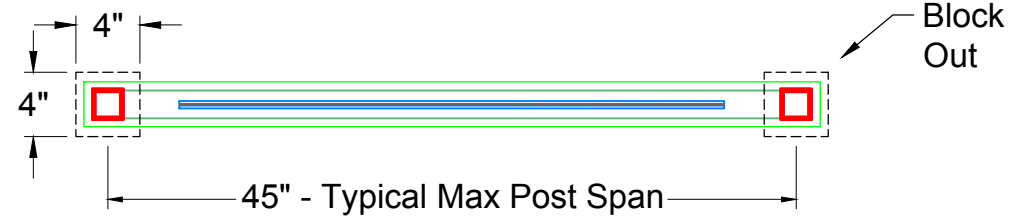


Material List:

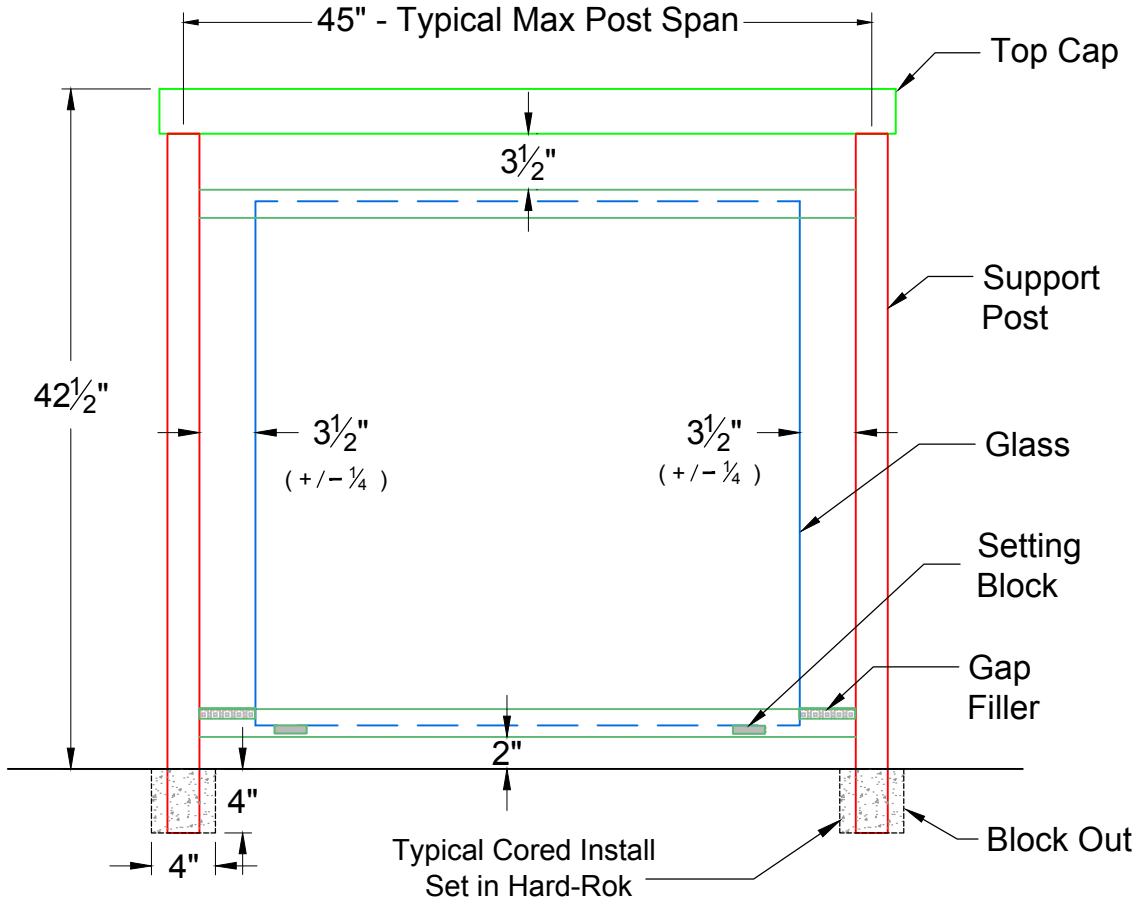
3-1/4" x 1/8"	6063-T52 Round	Top Cap (Shown)
2" x 2" x 1/4"	6061-T6 Sq. Tube	Support Post
1.75"x1.75"x3/16"	6061-T6 Channel	Glass Channel Top
1.75"x1.75"x3/16"	6061-T6 Channel	Glass Channel Btm.
5/8" x 5/8" x 1/16"	6063-T52 Sq. Tube	Glass Channel Gap Filler
3/16"-.035 -3/16"	Temp -SGP-Temp	Clear Lami Glass (Shown)
1/4" - .035 - 1/4"	Temp -SGP-Temp	Clear Lami Glass (Option)
5" x 6" x 3/8"	6061-T6 CNC Cut	Base Plate (Option)



ENLARGED SECTION 1 1/2" = 1' - 0"



PLAN VIEW 1" = 1' - 0"



ELEVATION 1" = 1' - 0"

Dimensions and Components may vary based on Site Specific Engineering

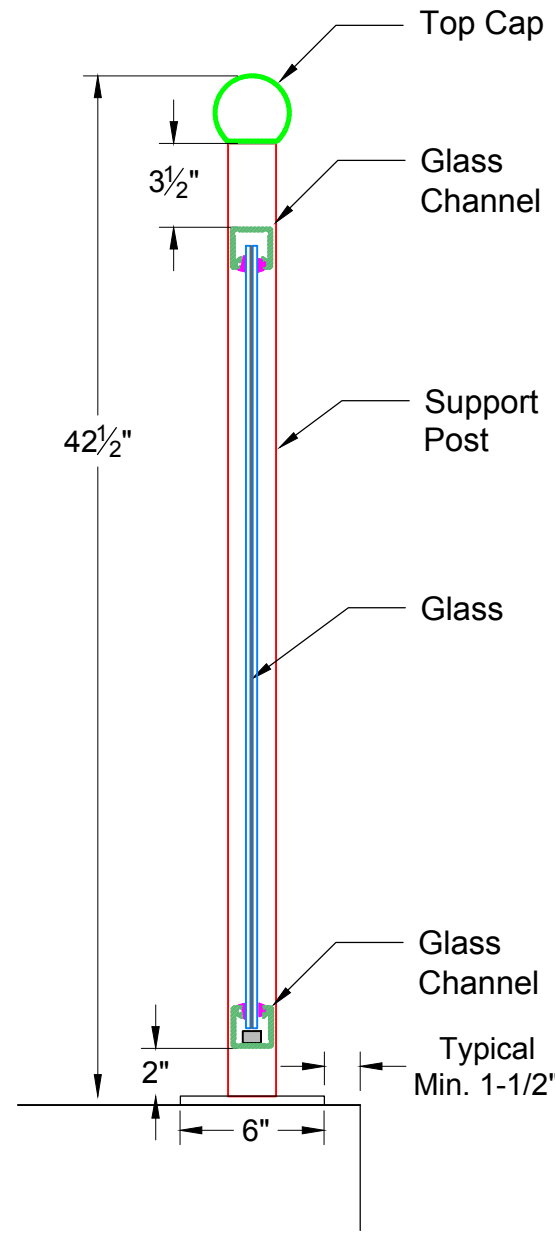
All rights reserved and are the property of Mullet's Aluminum Products, Inc. No part of the materials may be copied, photocopied, reproduced, translated or reduced to any electronic medium or machine-readable form, in whole or in part, without prior written consent of Mullet's Products, Inc. All materials are protected by United States Copyright Law.

Date:	Customer:
May. 23, 19	MULLET'S ALUMINUM
Drawn By:	Project Name:
Nick, L.	GLASS RAILING
Scale:	Drawing Description:
AS NOTED	GRS - 100 Typ. Core Mount
	Page: (1)

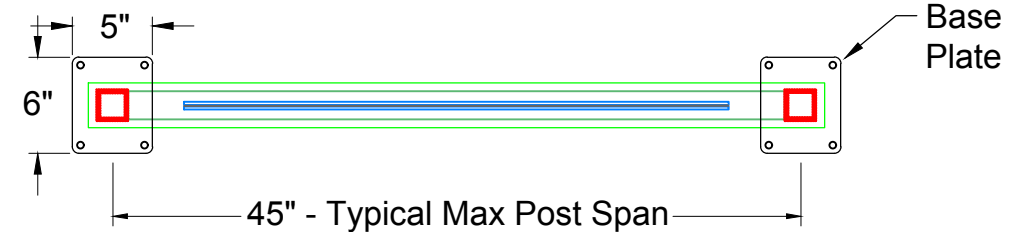
MULLET'S ALUMINUM PRODUCTS INC.
 WELDING FABRICATION DEPT.
 6345 McIntosh Road Office # (941) 371 - 3502
 Sarasota, FL 34238 Fax # (941) 378 - 5676

Material List:

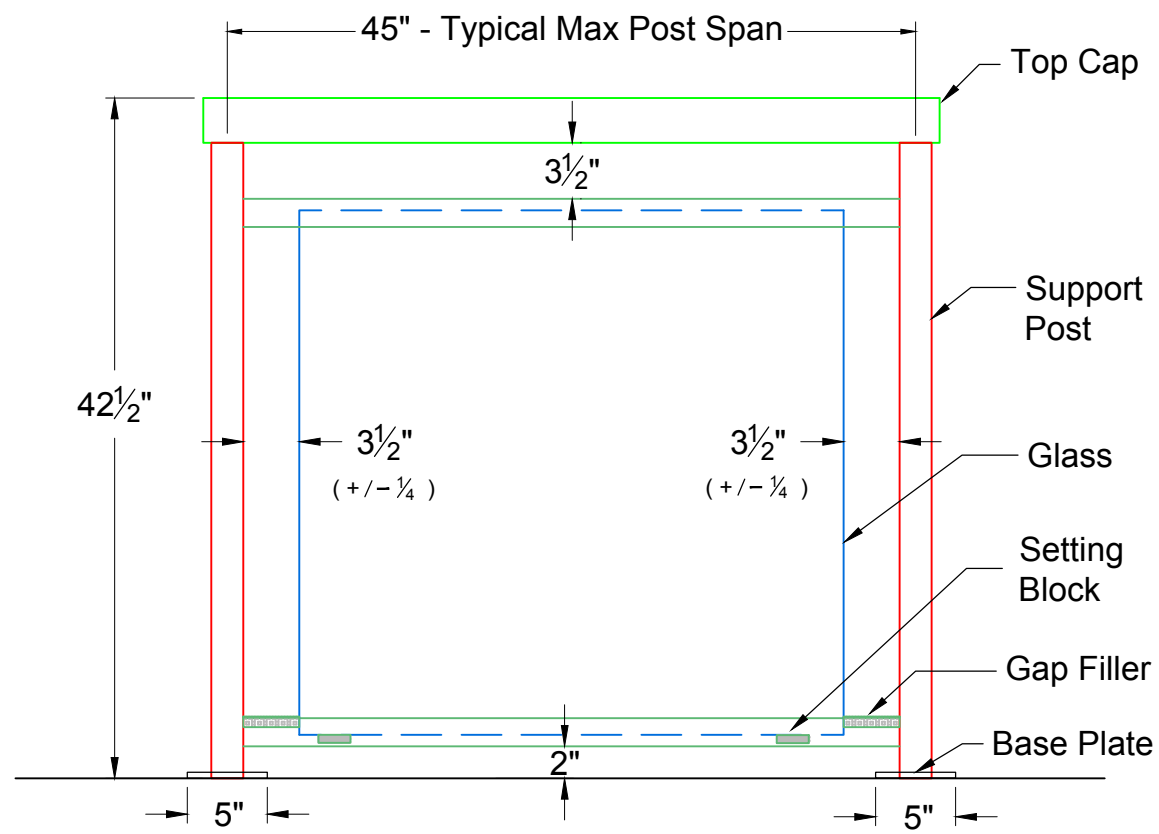
3-1/4" x 1/8"	6063-T52 Round	Top Cap (Shown)
2" x 2" x 1/4"	6061-T6 Sq. Tube	Support Post
1.75"x1.75"x3/16"	6061-T6 Channel	Glass Channel Top
1.75"x1.75"x3/16"	6061-T6 Channel	Glass Channel Btm.
5/8" x 5/8" x 1/16"	6063-T52 Sq. Tube	Glass Channel Gap Filler
3/16"-.035 -3/16"	Temp -SGP-Temp	Clear Lami Glass (Shown)
1/4" - .035 - 1/4"	Temp -SGP-Temp	Clear Lami Glass (Option)
5" x 6" x 3/8"	6061-T6 CNC Cut	Base Plate (Option)



ENLARGED SECTION 1/2" = 1' - 0"



PLAN VIEW 1" = 1' - 0"



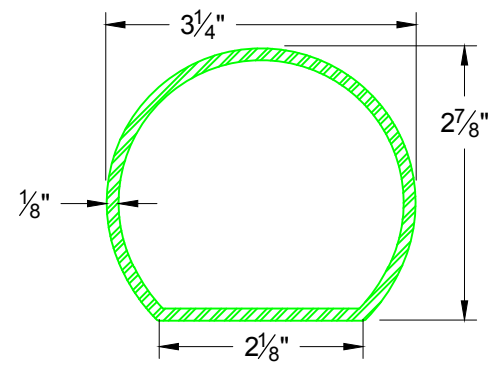
ELEVATION 1" = 1' - 0"

Dimensions and Components may vary based on Site Specific Engineering

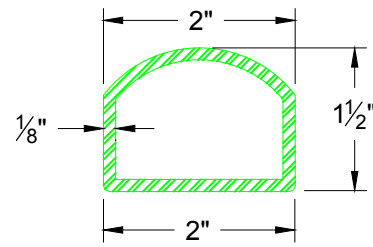
All rights reserved and are the property of Mullet's Aluminum Products, Inc. No part of the materials may be copied, photocopied, reproduced, translated or reduced to any electronic medium or machine-readable form, in whole or in part, without prior written consent of Mullet's Products, Inc. All materials are protected by United States Copyright Law.

Date:	May. 23, 19	Customer:	MULLET'S ALUMINUM
Drawn By:	Nick, L.	Project Name:	GLASS RAILING
Scale:	AS NOTED	Drawing Description:	GRS - 100 Opt. Plate Mount
			Page : (2)

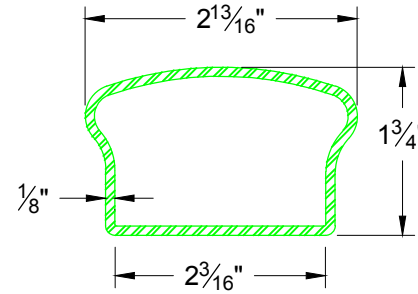
6345 McIntosh Road Office # (941) 371 - 3502
Sarasota, FL 34238 Fax # (941) 378 - 5676



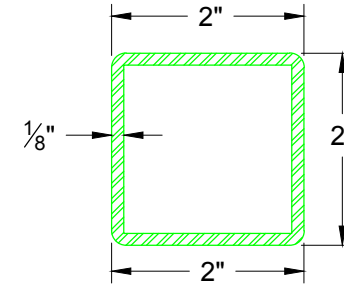
TOP CAP (SHOWN)
MA 3"



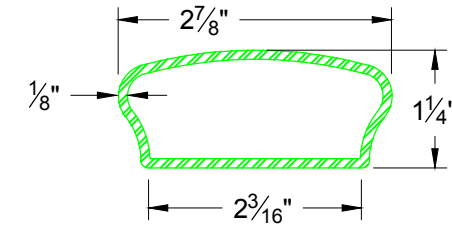
TOP CAP OPTION
MA 14



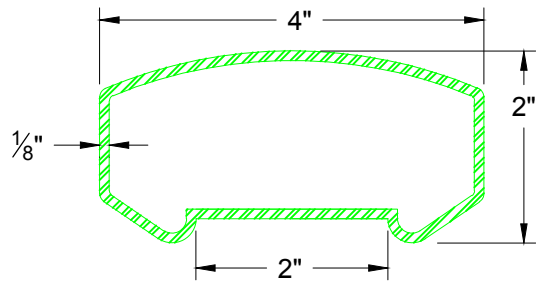
TOP CAP OPTION
137



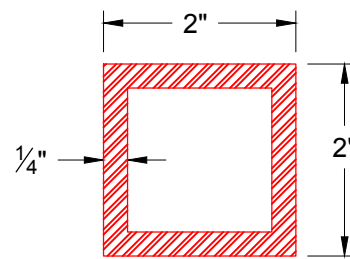
TOP CAP OPTION
SQ 2"



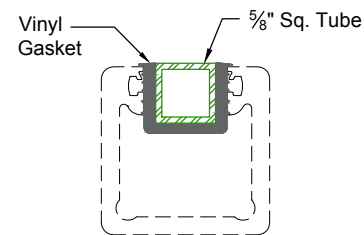
TOP CAP OPTION
133



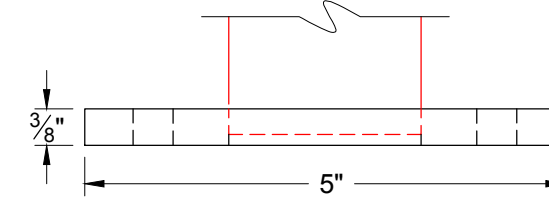
TOP CAP OPTION
152



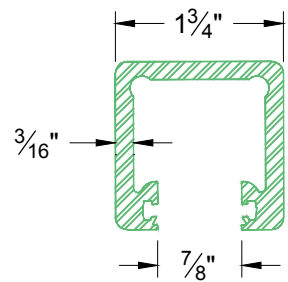
SUPPORT POST



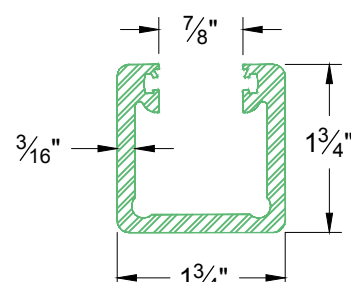
GLASS CHANNEL GAP FILLER



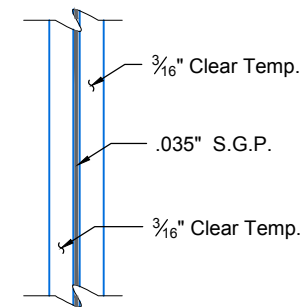
BASE PLATE (Elev.)



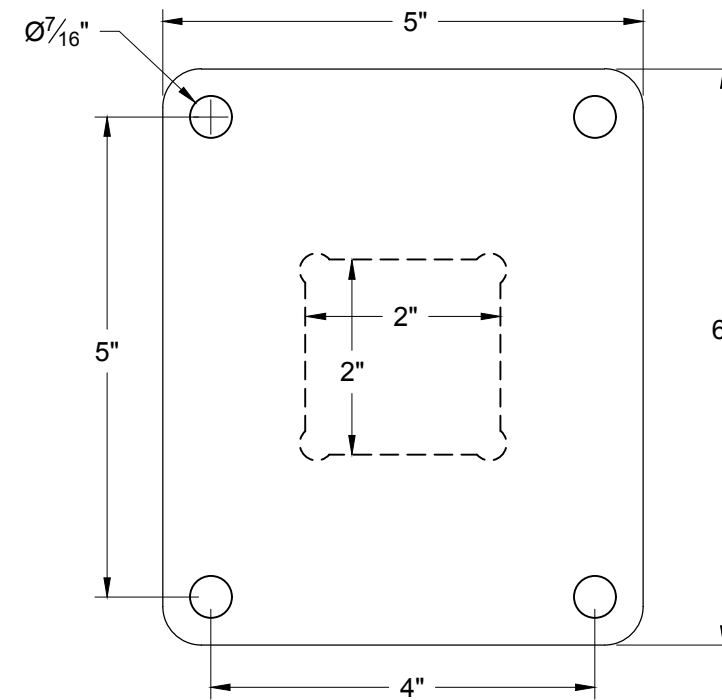
TOP GLASS CHANNEL



BTM. GLASS CHANNEL



LAMINATED GLASS DETAIL



BASE PLATE (Plan)

(BASE PLATE OPTION SUBJECT TO ENGINEERING)

Material List:

- | | | |
|---------------------|-------------------|-----------------------------|
| 3-1/4" x 1/8" | 6063-T52 Round | Top Cap (Shown) |
| 2" x 2" x 1/4" | 6061-T6 Sq. Tube | Support Post |
| 1.75"x1.75"x3/16" | 6061-T6 Channel | Glass Channel Top |
| 1.75"x1.75"x3/16" | 6061-T6 Channel | Glass Channel Btm. |
| 5/8" x 5/8" x 1/16" | 6063-T52 Sq. Tube | Glass Channel Gap Filler |
| 3/16"-.035 -3/16" | Temp -SGP-Temp | Clear Lami Glass (Shown) |
| 1/4" - .035 - 1/4" | Temp -SGP-Temp | Clear Lami Glass (Option) |
| 5" x 6" x 3/8" | 6061-T6 CNC Cut | Base Plate (Option) |

All rights reserved and are the property of Mullet's Aluminum Products, Inc. No part of the materials may be copied, photocopied, reproduced, translated or reduced to any electronic medium or machine-readable form, in whole or in part, without prior written consent of Mullet's Products, Inc. All materials are protected by United States Copyright Law.

Customer: **MULLET'S ALUMINUM**

Project Name: **GLASS RAILING**

Date: May. 23, 19

Drawn By: Nick, L.

Scale: 6" = 1'-0"

Page: (3)

GRS - 100 Component List



6345 McIntosh Road
Sarasota, FL 34238
Office # (941) 371-3502
Fax # (941) 378-5676

Dimensions and Components may vary based on Site Specific Engineering