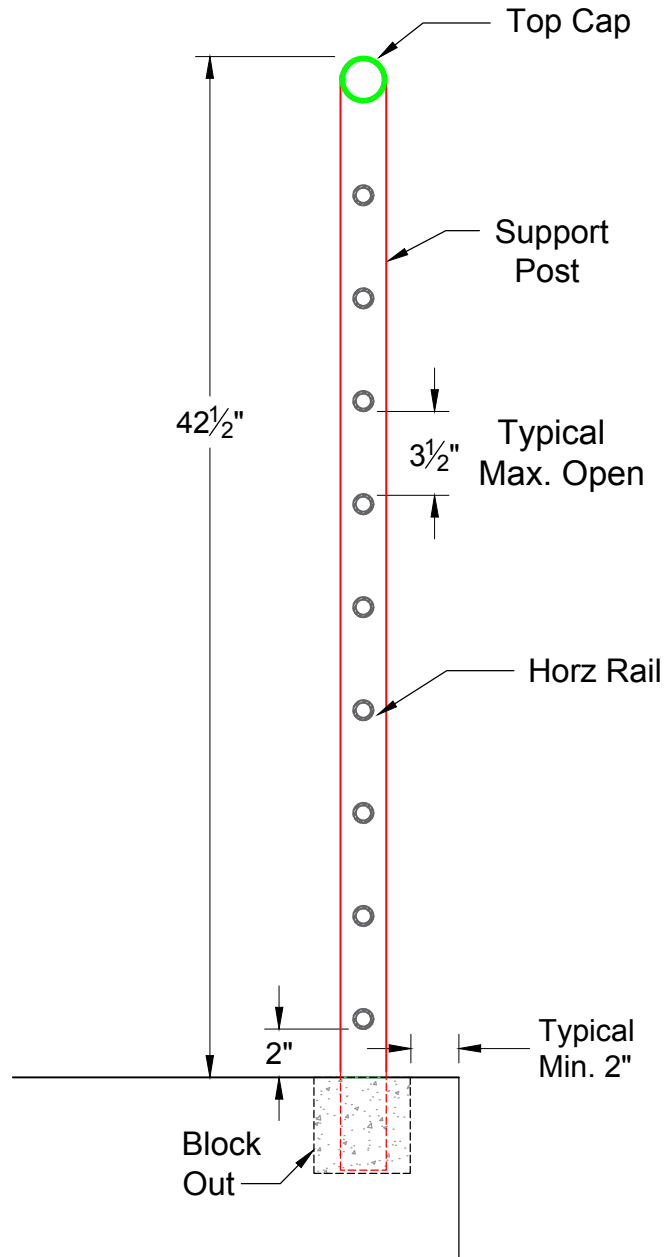


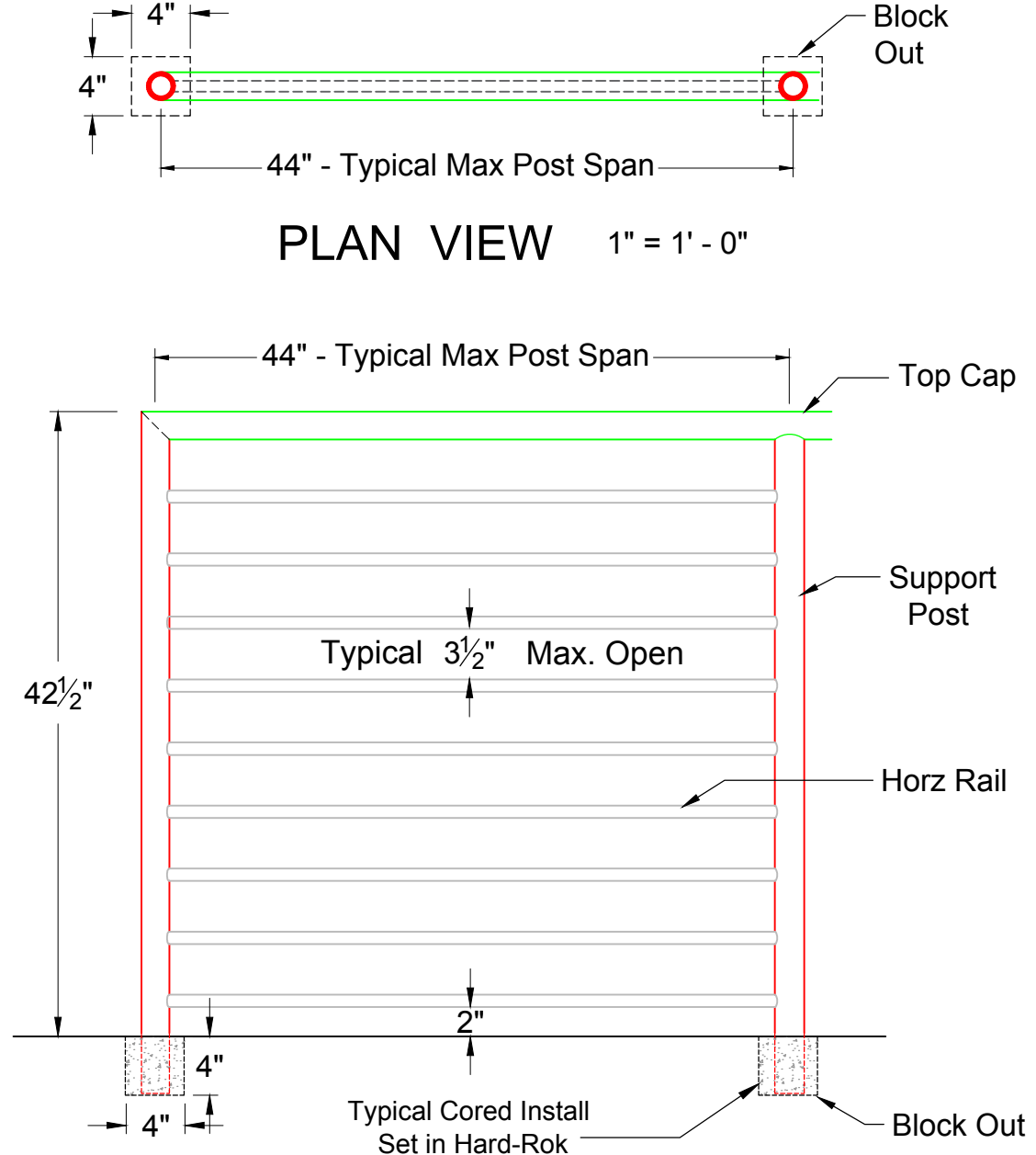
Material List:

| | | |
|------------------|------------------------|-----------------------|
| 1-15/16" x 3/16" | 6061-T6 1 1/2 Sch 40-P | Top Cap |
| 1-15/16" x 1/4" | 6061-T6 1 1/2 Sch 80-P | Support Post |
| 13/16" x 1/8" | 6061-T6 1/2 Sch 40-P | Horizontal Rails |
| 6" Dia. x 1/2" | 316 S.S. CNC Cut | Base Plate (Option) |

All rights reserved and are the property of Mullet's Aluminum Products, Inc. No part of the materials may be copied, photocopied, reproduced, translated or reduced to any electronic medium or machine-readable form, in whole or in part, without prior written consent of Mullet's Products, Inc. All materials are protected by United States Copyright Law.



ENLARGED SECTION 1 1/2" = 1' - 0"



ELEVATION 1" = 1' - 0"

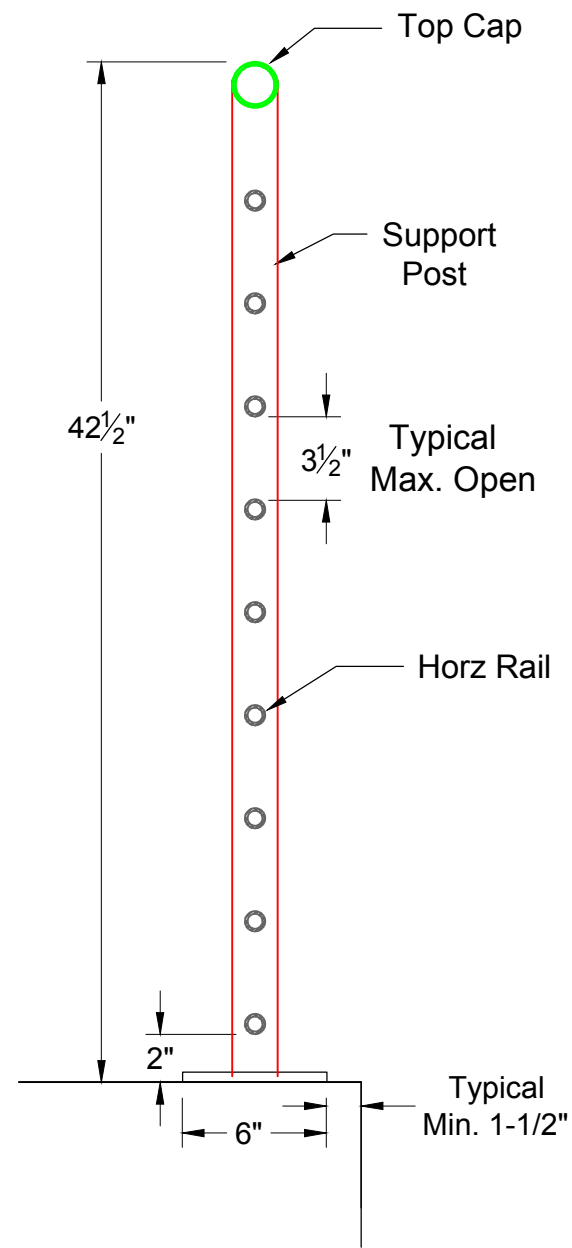
Dimensions and Components may vary based on Site Specific Engineering

| | | | |
|-----------|-------------|----------------------|---------------------------|
| Date: | May. 23, 19 | Customer: | MULLET'S ALUMINUM |
| Drawn By: | Nick, L. | Project Name: | |
| Scale: | AS NOTED | Drawing Description: | HRS - 100 Typ. Core Mount |
| | | | Page : (1) |

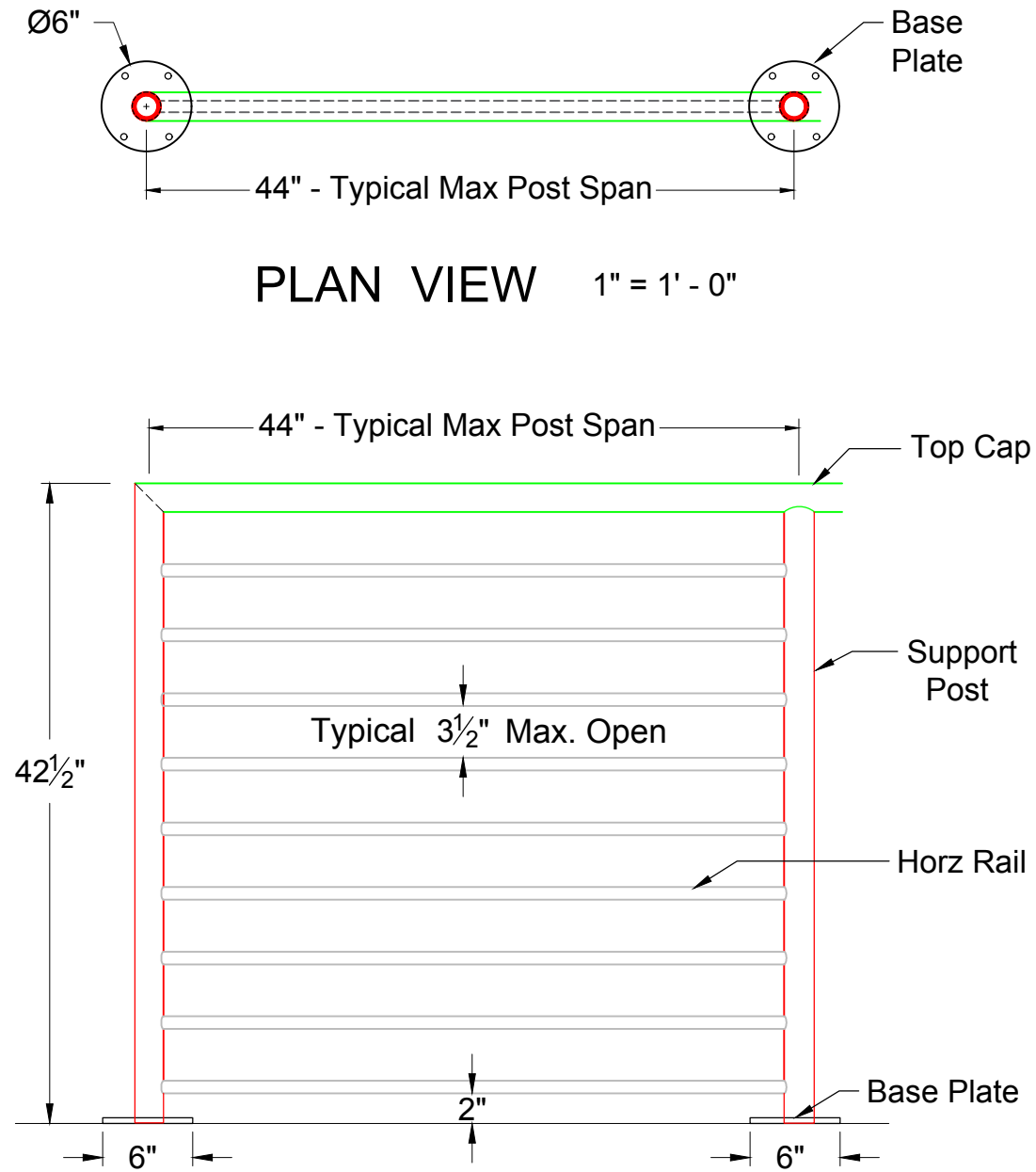
MULLET'S ALUMINUM PRODUCTS INC.
 WELDING FABRICATION DEPT.
 6345 McIntosh Road Office # (941) 371 - 3502
 Sarasota, FL 34238 Fax # (941) 378 - 5676

Material List:

| | | |
|------------------|---------------------|-----------------------|
| 1-15/16" x 3/16" | 6061-T6 1½ Sch 40-P | Top Cap |
| 1-15/16" x 1/4" | 6061-T6 1½ Sch 80-P | Support Post |
| 13/16" x 1/8" | 6061-T6 ½ Sch 40-P | Horizontal Rails |
| 6" Dia. x 1/2" | 316 S.S. CNC Cut | Base Plate (Option) |



ENLARGED SECTION 1½" = 1' - 0"



PLAN VIEW 1" = 1' - 0"

ELEVATION 1" = 1' - 0"

Dimensions and Components may vary based on Site Specific Engineering

All rights reserved and are the property of Mullet's Aluminum Products, Inc. No part of the materials may be copied, photocopied, reproduced, translated or reduced to any electronic medium or machine-readable form, in whole or in part, without prior written consent of Mullet's Products, Inc. All materials are protected by United States Copyright Law.

Customer: **MULLET'S ALUMINUM**

Date: May. 23, 19

Drawn By: Nick, L.

Project Name:

Scale: AS NOTED

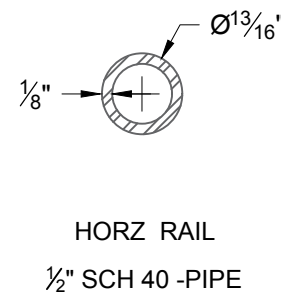
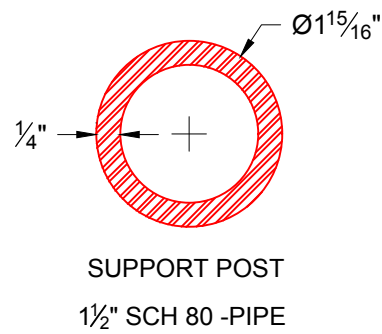
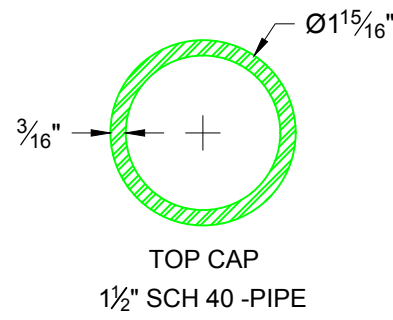
Drawing Description:

HRS - 100 Opt. Plate Mount

Page : (2)

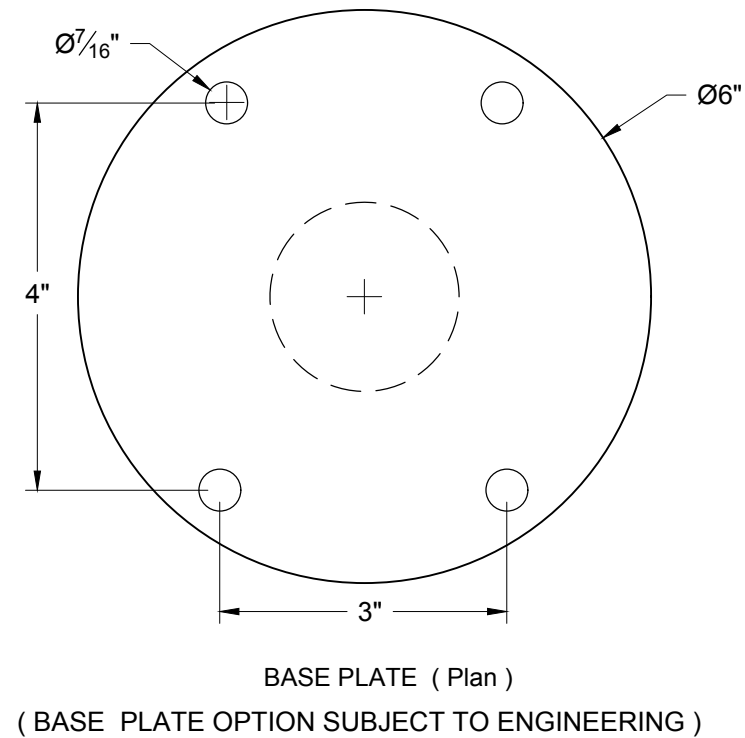
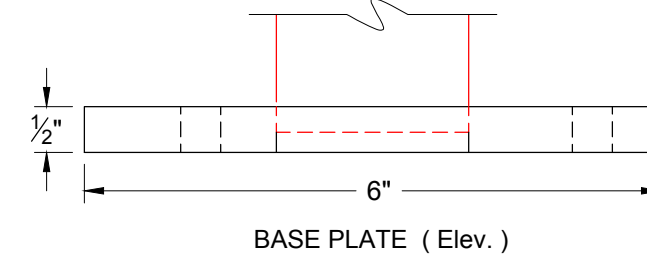


WELDING FABRICATION DEPT.
 6345 McIntosh Road Office # (941) 371 - 3502
 Sarasota, FL. 34238 Fax # (941) 378 - 5676



Material List:

| | | | |
|------------------|----------|----------------|-----------------------|
| 1-15/16" x 3/16" | 6061-T6 | 1 1/2 Sch 40-P | Top Cap |
| 1-15/16" x 1/4" | 6061-T6 | 1 1/2 Sch 80-P | Support Post |
| 13/16" x 1/8" | 6061-T6 | 1/2 Sch 40-P | Horizontal Rails |
| 6" Dia. x 1/2" | 316 S.S. | CNC Cut | Base Plate (Option) |



All rights reserved and are the property of Mullet's Aluminum Products, Inc. No part of the materials may be copied, photocopied, reproduced, translated or reduced to any electronic medium or machine-readable form, in whole or in part, without prior written consent of Mullet's Products, Inc. All materials are protected by United States Copyright Law.

| | |
|-------------|--------------------------|
| Date : | Customer : |
| May. 23, 19 | MULLET'S ALUMINUM |
| Drawn By : | Project Name : |
| Nick, L. | |
| Scale : | Drawing Description : |
| N.T.S. | HRS - 100 Component List |
| | Page : (3) |

MULLET'S ALUMINUM PRODUCTS INC.
WELDING FABRICATION DEPT.
6345 McIntosh Road Office # (941) 371 - 3502
Sarasota, FL 34238 Fax # (941) 378 - 5676

Dimensions and Components may vary based on Site Specific Engineering