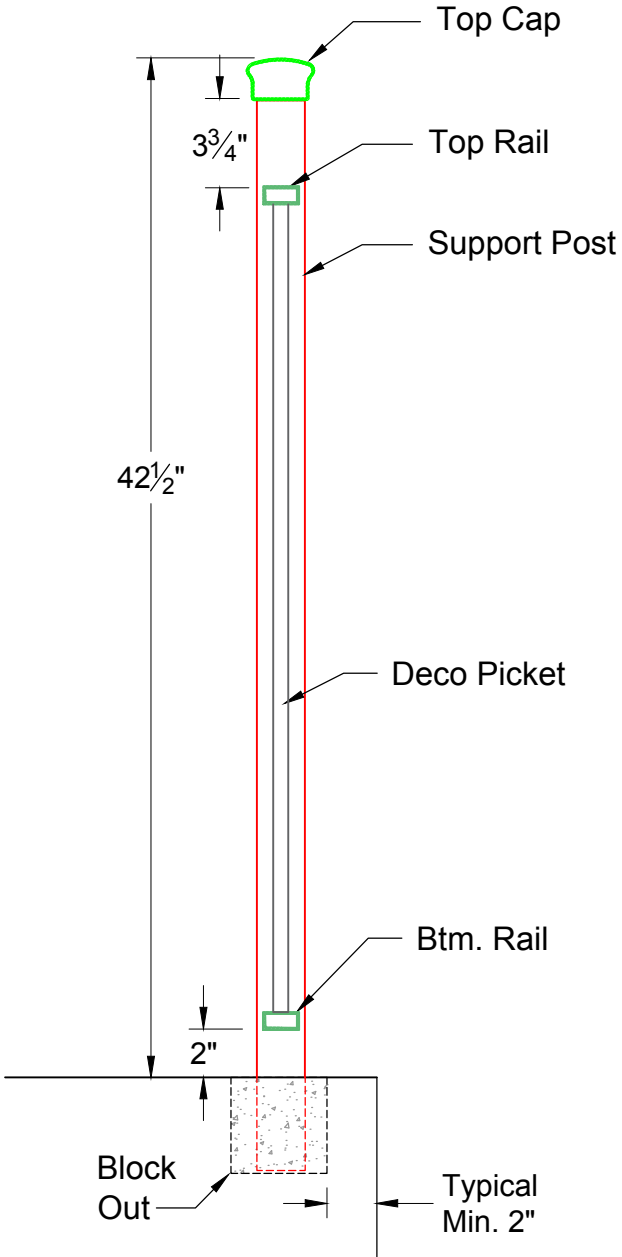
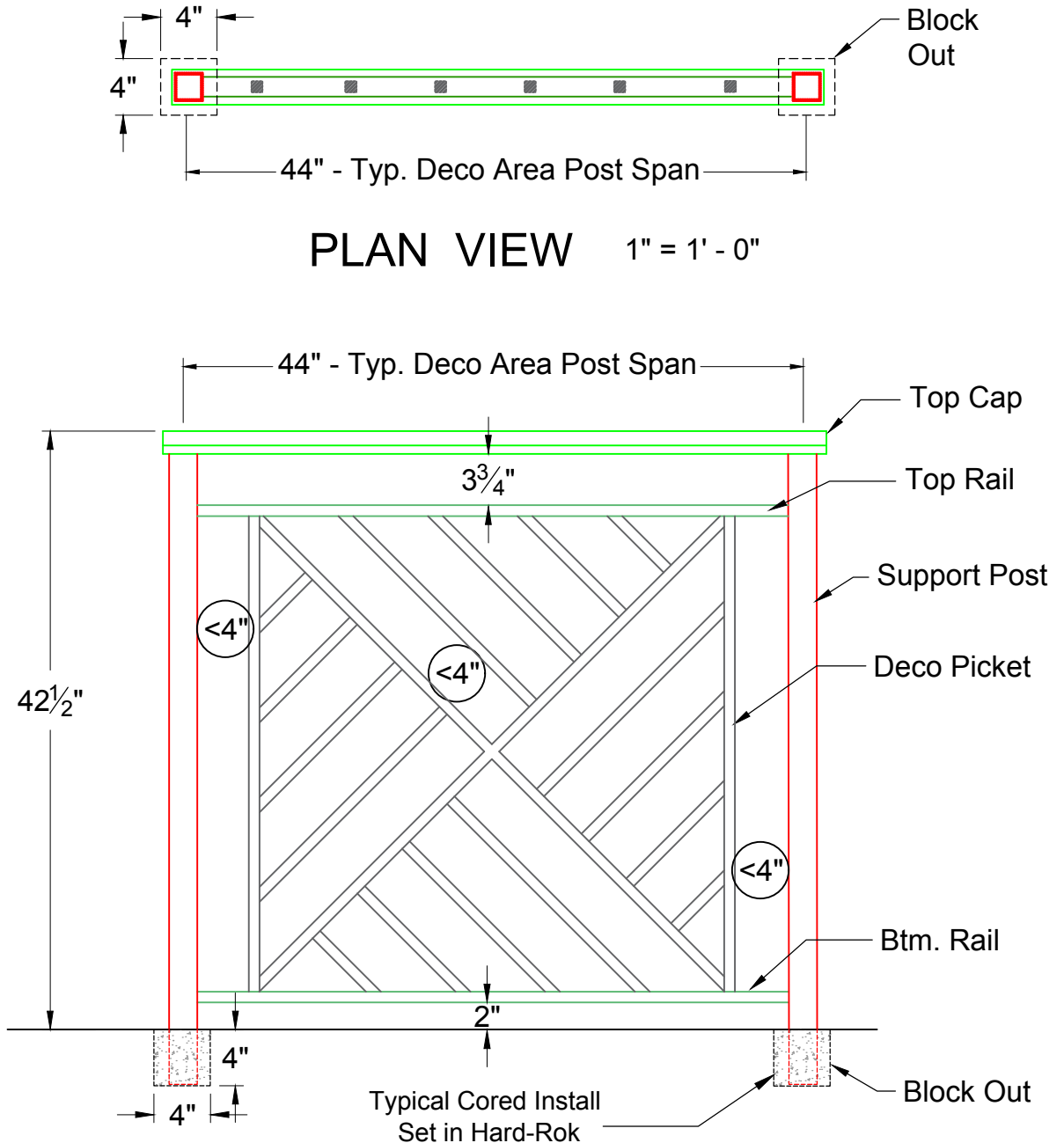


Material List:

2-3/4"x1-3/4"x1/8"	6063-T52 #137	Top Cap (Shown)
1-1/2" x3/4"x1/8"	6063-T52 Rect. Tube	Top Rail
2" x 2" x 1/8"	6061-T6 Sq. Tube	Support Posts
3/4" x 3/4"x 3/32"	6063-T52 Sq. Tube	Deco Picket
1-1/2" x3/4"x1/8"	6063-T52 Rect. Tube	Bottom Rail
5" x 5" x 3/8"	6061-T6 CNC Cut	Base Plate (Option)



ENLARGED SECTION 1 1/2" = 1' - 0"



ELEVATION 1" = 1' - 0"

Dimensions and Components may vary based on Site Specific Engineering

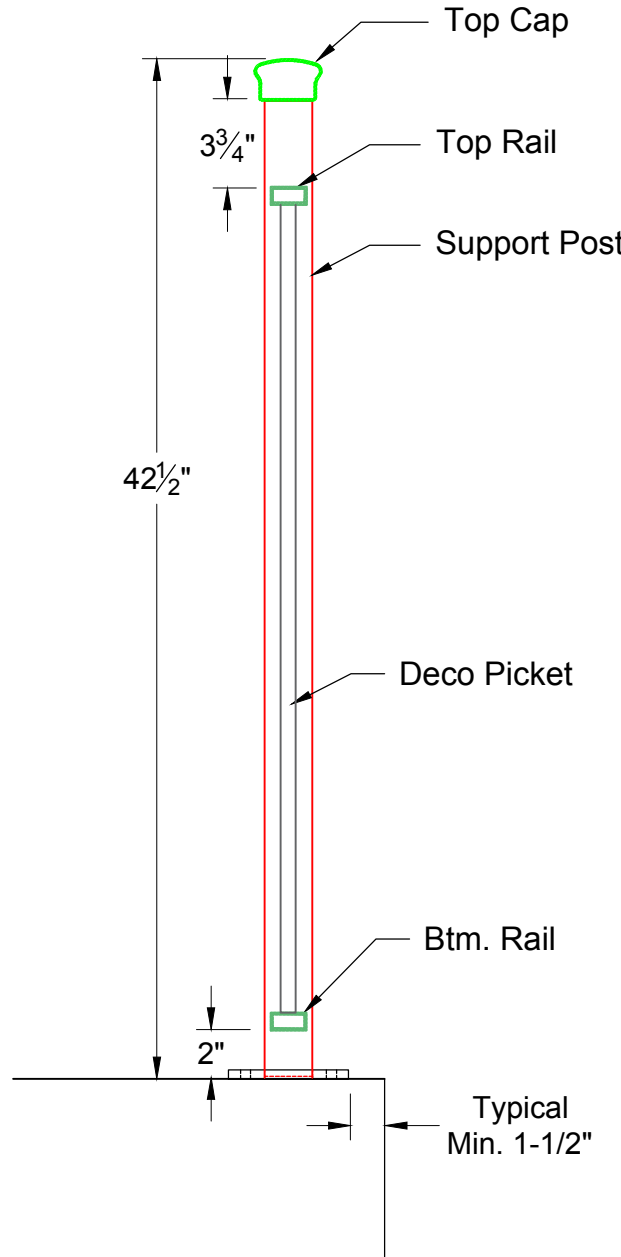
All rights reserved and are the property of Mullet's Aluminum Products, Inc. No part of the materials may be copied, photocopied, reproduced, translated or reduced to any electronic medium or machine-readable form, in whole or in part, without prior written consent of Mullet's Products, Inc. All materials are protected by United States Copyright Law.

Date:	Customer:
May. 23, 19	MULLET'S ALUMINUM
Drawn By:	Project Name:
Nick, L.	DECO RAIL
Scale:	Drawing Description:
AS NOTED	DRS - 100 Typ. Core Mount
	Page: (1)

MULLET'S ALUMINUM PRODUCTS INC.
 WELDING FABRICATION DEPT.
 6345 McIntosh Road Office # (941) 371 - 3502
 Sarasota, FL 34238 Fax # (941) 378 - 5676

Material List:

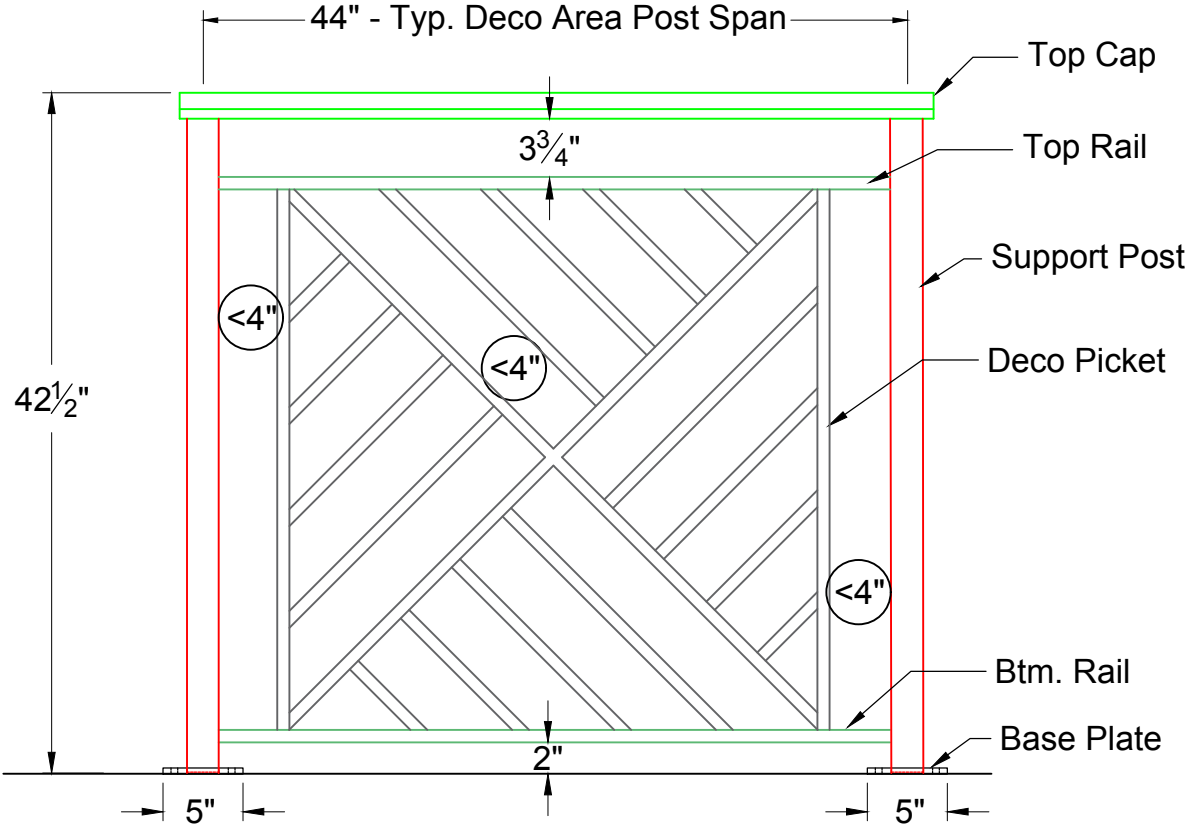
2-3/4"x1-3/4"x1/8"	6063-T52 #137	Top Cap (Shown)
1-1/2" x3/4"x1/8"	6063-T52 Rect. Tube	Top Rail
2" x 2" x 1/8"	6061-T6 Sq. Tube	Support Posts
3/4" x 3/4"x 3/32"	6063-T52 Sq. Tube	Deco Picket
1-1/2" x3/4"x1/8"	6063-T52 Rect. Tube	Bottom Rail
5" x 5" x 3/8"	6061-T6 CNC Cut	Base Plate (Option)



ENLARGED SECTION 1 1/2" = 1' - 0"



PLAN VIEW 1" = 1' - 0"



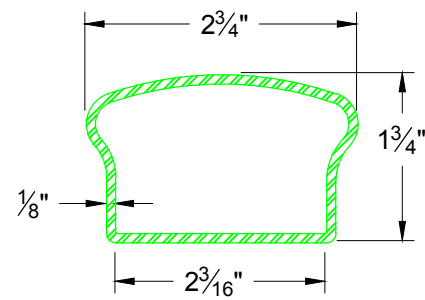
ELEVATION 1" = 1' - 0"

Dimensions and Components may vary based on Site Specific Engineering

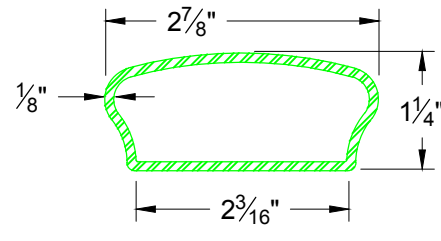
All rights reserved and are the property of Mullet's Aluminum Products, Inc. No part of the materials may be copied, photocopied, reproduced, translated or reduced to any electronic medium or machine-readable form, in whole or in part, without prior written consent of Mullet's Products, Inc. All materials are protected by United States Copyright Law.

Date:	May. 23, 19	Customer:	MULLET'S ALUMINUM
Drawn By:	Nick, L.	Project Name:	DECO RAIL
Scale:	AS NOTED	Drawing Description:	DRS - 100 Opt. Plate Mount
			Page : (2)

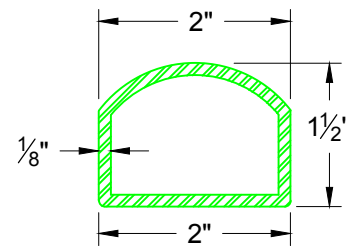
MULLET'S ALUMINUM PRODUCTS INC.
 WELDING FABRICATION DEPT.
 6345 McIntosh Road Office # (941) 371 - 3502
 Sarasota, FL 34238 Fax # (941) 378 - 5676



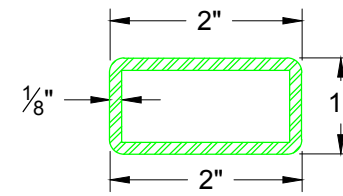
TOP CAP (SHOWN)
137



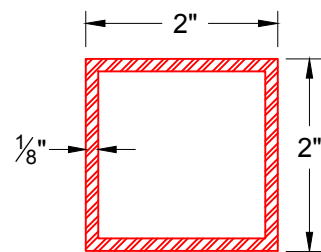
TOP CAP OPTION
133



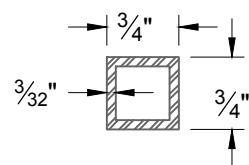
TOP CAP OPTION
MA 14



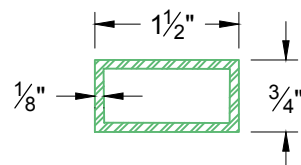
TOP CAP OPTION
2" x 1" Rad. Edge



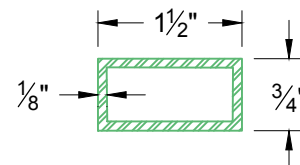
SUPPORT POST



DECO PICKET



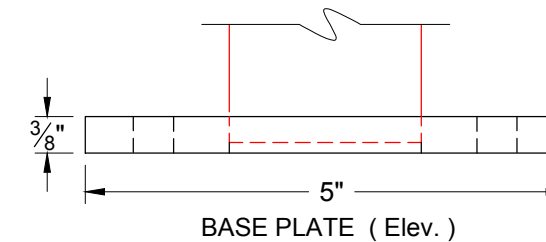
TOP RAIL



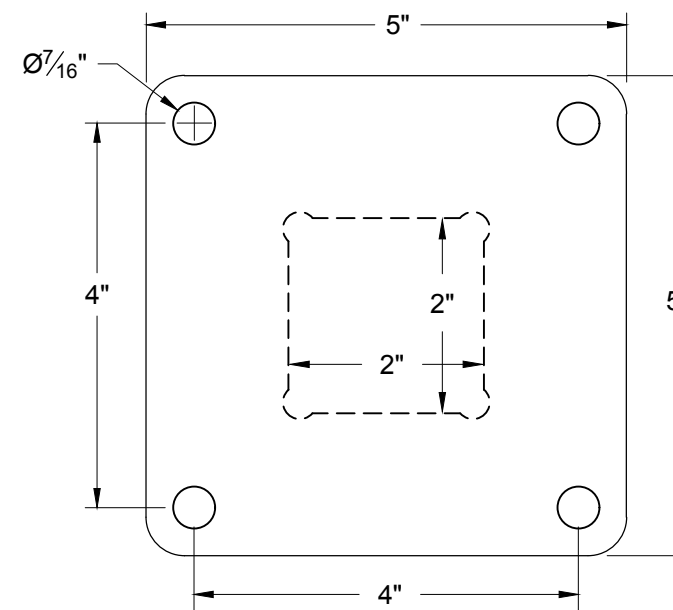
BOTTOM RAIL

Material List:

2-3/4"x1-3/4"x1/8"	6063-T52	#137	Top Cap (Shown)
1-1/2" x3/4"x1/8"	6063-T52	Rect. Tube	Top Rail
2" x 2" x 1/8"	6061-T6	Sq. Tube	Support Posts
3/4" x 3/4"x 3/32"	6063-T52	Sq. Tube	Deco Picket
1-1/2" x3/4"x1/8"	6063-T52	Rect. Tube	Bottom Rail
5" x 5" x 3/8"	6061-T6	CNC Cut	Base Plate (Option)



BASE PLATE (Elev.)



BASE PLATE (Plan)

(BASE PLATE OPTION SUBJECT TO ENGINEERING)

All rights reserved and are the property of Mullet's Aluminum Products, Inc. No part of the materials may be copied, photocopied, reproduced, translated or reduced to any electronic medium or machine-readable form, in whole or in part, without prior written consent of Mullet's Products, Inc. All materials are protected by United States Copyright Law.

Customer: MULLET'S ALUMINUM		Project Name: DECO RAIL	
Date: May. 23, 19	Drawn By: Nick, L.	Drawing Description: DRS - 100 Component List	Page: (3)
Scale: N.T.S.			

MULLET'S ALUMINUM PRODUCTS INC.
WELDING FABRICATION DEPT.
6345 McIntosh Road Office # (941) 371 - 3502
Sarasota, FL 34238 Fax # (941) 378 - 5676