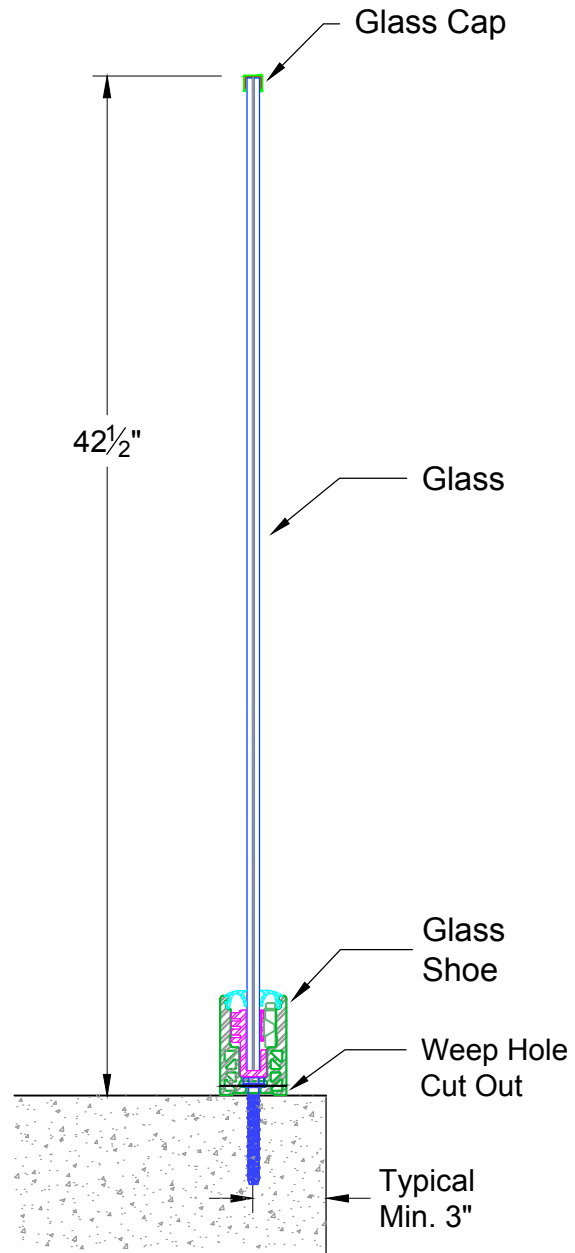


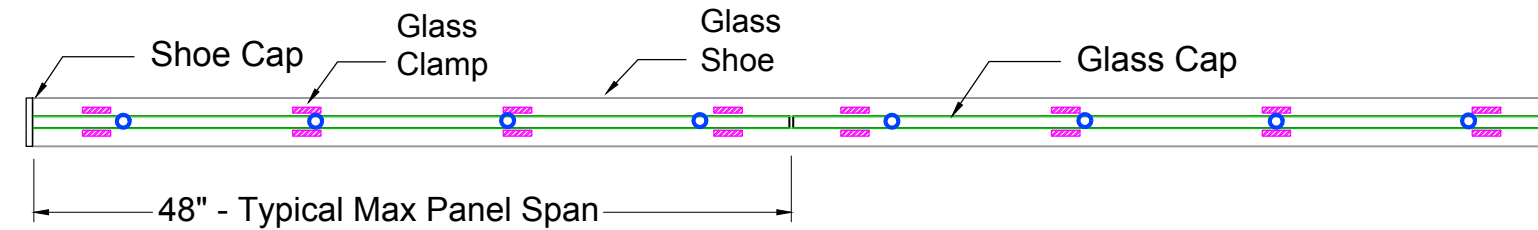
Material List:

3/4"x 5/8"x1/16"	6063-T52 Channel	Glass Cap
3/4"x 5/8"x1/8"	6063-T52 Channel	Glass Cap (Interior Only)
2-3/4" x 4-1/8"	6061-T6 Channel	Glass Shoe
1/4" - .090 - 1/4"	Temp -SGP-Temp	Clear Lami Glass (Shown)
1/2" Monolithic	Tempered	Clear Glass (Interior Only)

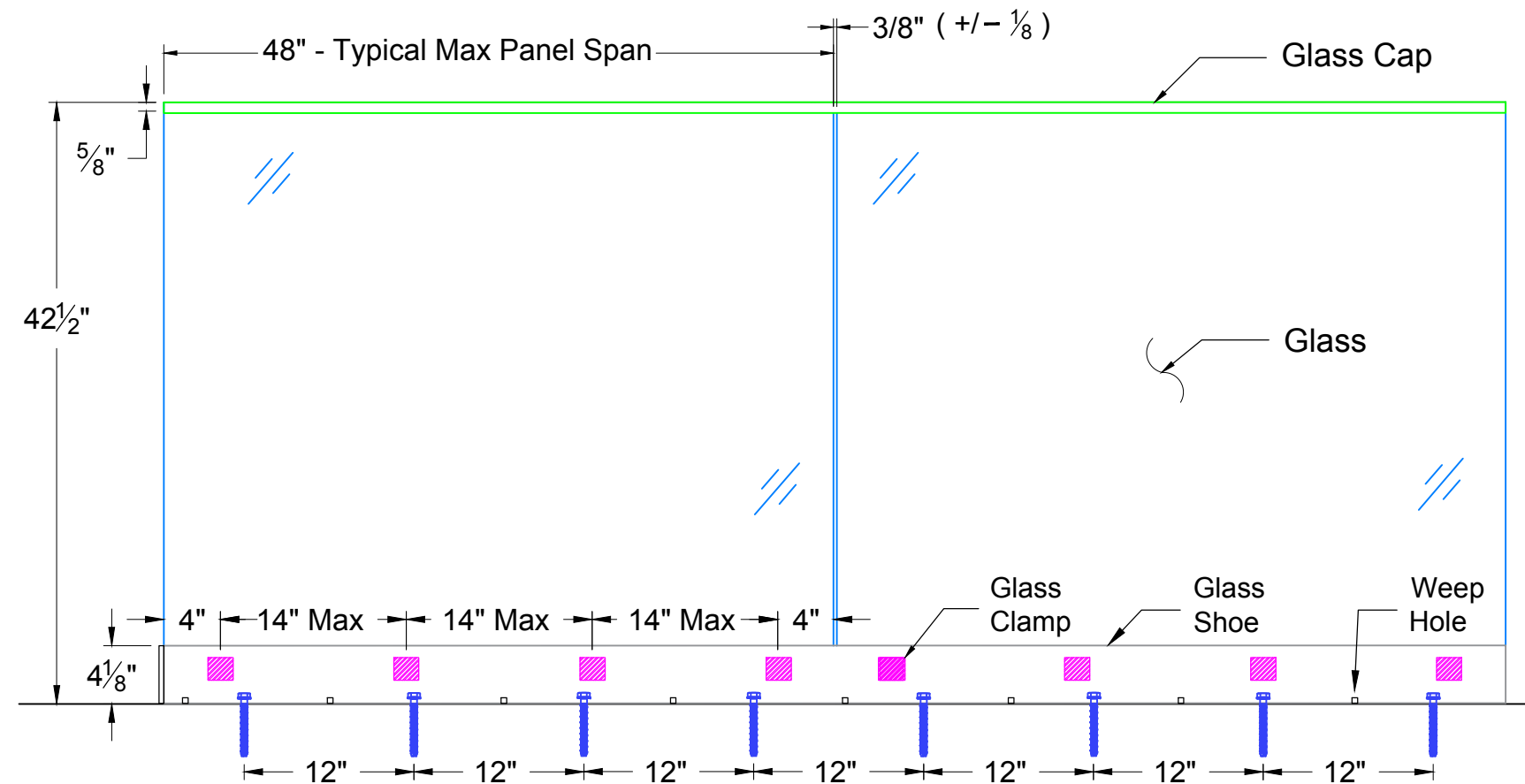
All rights reserved and are the property of Mullet's Aluminum Products, Inc. No part of the materials may be copied, photocopied, reproduced, translated or reduced to any electronic medium or machine-readable form, in whole or in part, without prior written consent of Mullet's Products, Inc. All materials are protected by United States Copyright Law.



ENLARGED SECTION 1 1/2" = 1' - 0"



PLAN VIEW 1" = 1' - 0"



ELEVATION 1" = 1' - 0"

Dimensions and Components may vary based on Site Specific Engineering

Date:	Jan. 6, 20	Customer:	MULLET'S ALUMINUM
Drawn By:	Nick, L.	Project Name:	GLASS RAILING
Scale:	AS NOTED	Drawing Description:	GRS - 300 Typ. Core Mount
			Page : (1)

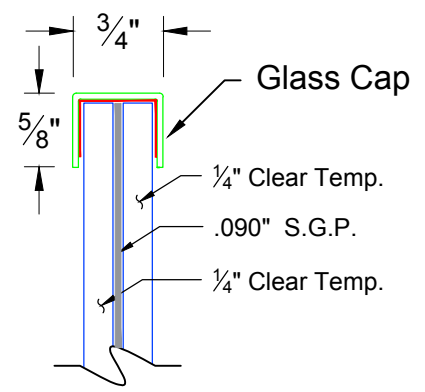
MULLET'S ALUMINUM PRODUCTS INC.
WELDING FABRICATION DEPT.
 6345 McIntosh Road Office # (941) 371 - 3502
 Sarasota, FL 34238 Fax # (941) 378 - 5676

All rights reserved and are the property of Mullet's Aluminum Products, Inc. No part of the materials may be copied, photocopied, reproduced, translated or reduced to any electronic medium or machine-readable form, in whole or in part, without prior written consent of Mullet's Products, Inc. All materials are protected by United States Copyright Law.

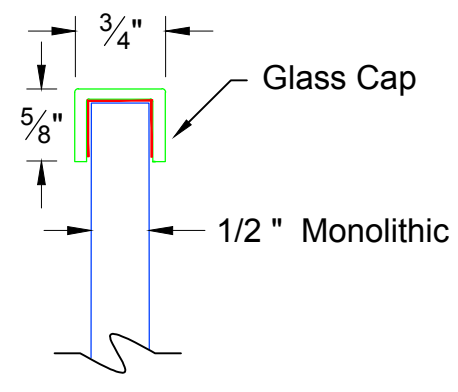
Date:	Jan. 6, 20	Customer:	MULLET'S ALUMINUM
Drawn By:	Nick, L.	Project Name:	GLASS RAILING
Scale:	N.T.S.	Drawing Description:	GRS - 300 Component List
		Page:	(2)



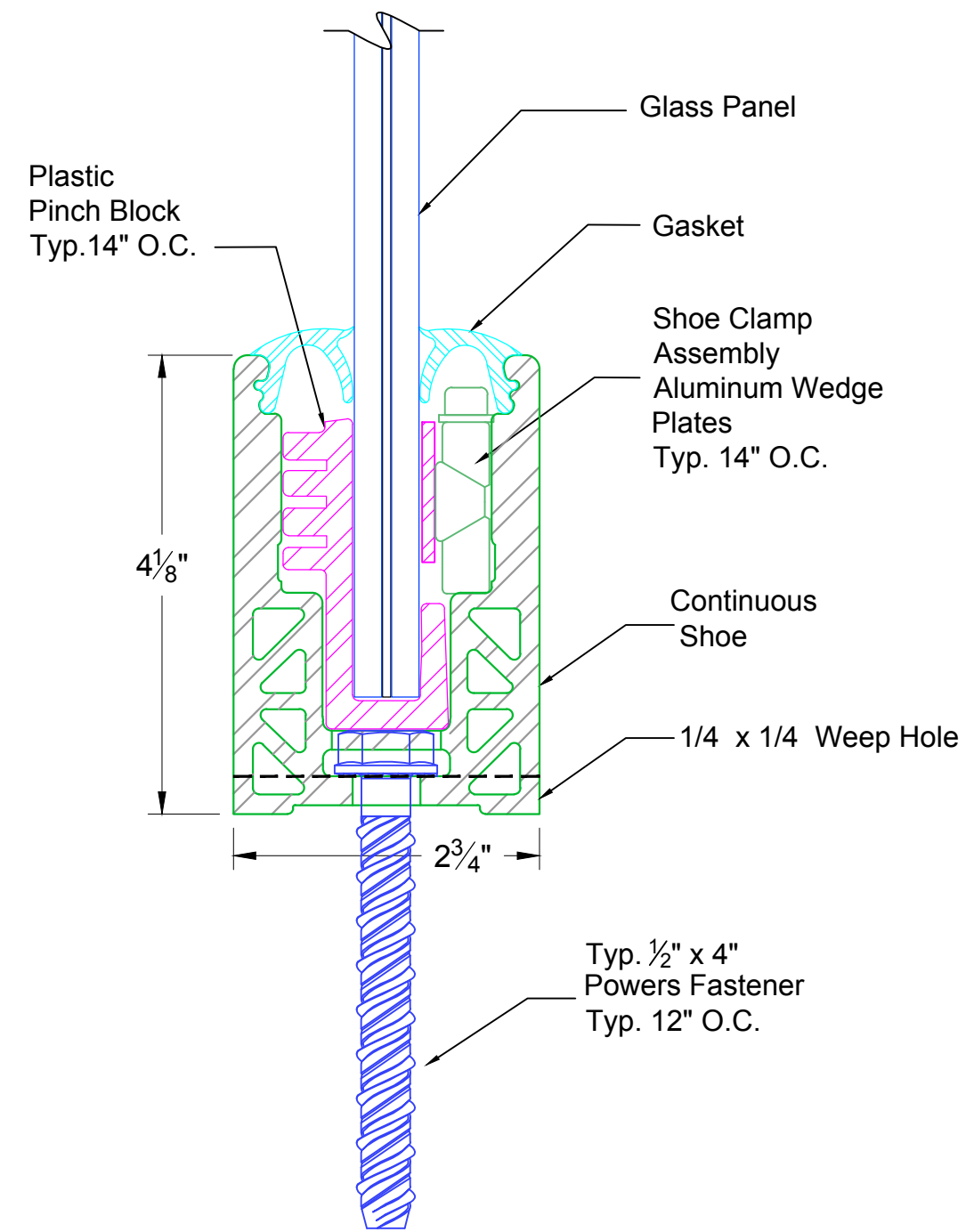
MULLET'S ALUMINUM PRODUCTS INC.
 WELDING FABRICATION DEPT.
 6345 McIntosh Road
 Sarasota, FL 34238
 Office # (941) 371-3502
 Fax # (941) 378-5676



LAMINATED GLASS DETAIL



MONOLITHIC GLASS DETAIL
 (FOR INTERIOR RESIDENTIAL ONLY)



Material List:

3/4"x 5/8"x1/16"	6063-T52 Channel	Glass Cap
3/4"x 5/8"x1/8"	6063-T52 Channel	Glass Cap (Interior Only)
2-3/4" x 4-1/8"	6061-T6 Channel	Glass Shoe
1/4" - .090 - 1/4"	Temp -SGP-Temp	Clear Lami Glass (Shown)
1/2 " Monolithic	Tempered	Clear Glass (Interior Only)

Dimensions and Components may vary based on Site Specific Engineering